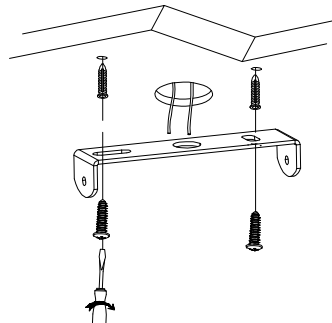
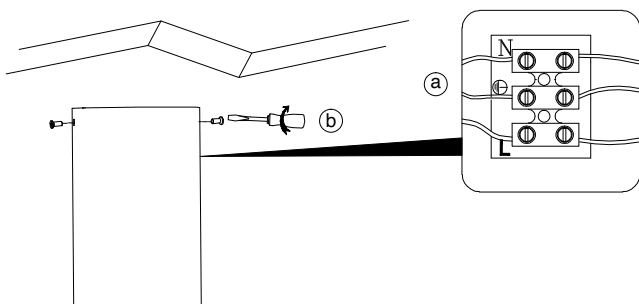


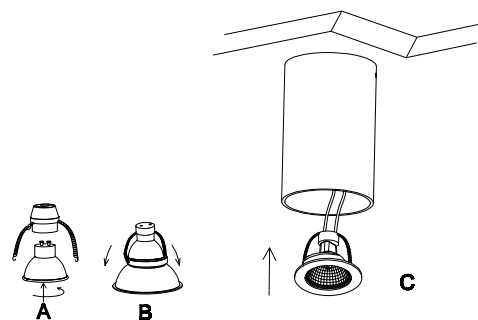
1. Turn off the general Switch



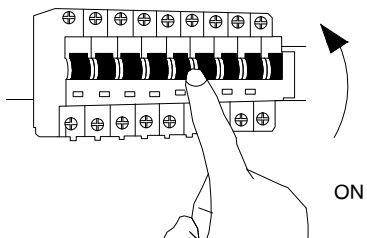
2. Make holes & apply the crews



3. a. Tighten the side screws
b. Connect the wires



4. /A.B.C. Insert the bulb by following the steps



8. Turn on the general Switch

