

# NOVA LUCE

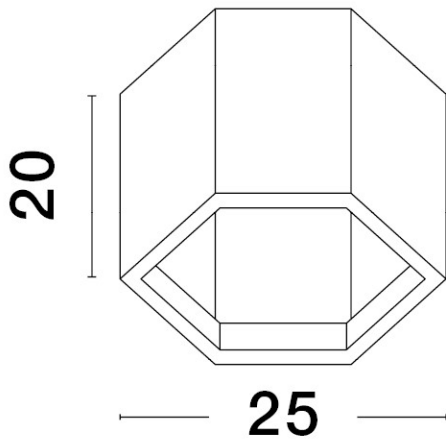
PRODUCT DATASHEET

Version: 001

## PRODUCT PHOTOGRAPH



## TECHNICAL DRAWING



## GENERAL INFORMATION

|                         |            |
|-------------------------|------------|
| Product Code            | 9212315    |
| Collection              | Decorative |
| Product Category        | Ceiling    |
| Product Family          | Samba      |
| Mounting Location       | Ceiling    |
| Application Environment | Indoor     |

## DIMENSION & WEIGHT

|              |             |
|--------------|-------------|
| LxWxH (cm)   | D: 25 H: 20 |
| Cut out (cm) | N/A         |
| Weight (Kgr) | 1.9         |

## MATERIAL & COLOR

|               |                     |
|---------------|---------------------|
| Product Color | Sandy White         |
| Body Material | Aluminium & Acrylic |

## APPLICATION & MOUNTING

|                            |           |
|----------------------------|-----------|
| Ambient Working Temp.      | Max 45 oC |
| Type of Protection         | IP20      |
| Dimmable                   | No        |
| Type of Dimming (Optional) | N/A       |
| Mounting type              | Ceiling   |
| Mounting Depth (cm)        | N/A       |
| Led Module Replaceable     | No        |
| Light Source               | LED       |

NOVA LUCE S.A

Schimatari Viotias  
32009, Greece

+30 22620 58 121  
+30 22620 56 743

info@novaluce.com  
www.novaluce.com



# NOVA LUCE

---

## PRODUCT DATASHEET

Version: 001

---

### ELECTRICAL DATA

|                         |                   |
|-------------------------|-------------------|
| Power (Nominal)         | <b>10W</b>        |
| Input voltage (Nominal) | <b>220-240Vac</b> |
| Mains Frequency         | <b>50/60Hz</b>    |

### PHOTOMETRICAL DATA

|                           |                   |
|---------------------------|-------------------|
| Luminous Flux             | <b>600 lm</b>     |
| Color Temperature         | <b>3000K</b>      |
| Light Color (Designation) | <b>Warm White</b> |

### WARRANTY

|          |                |
|----------|----------------|
| Warranty | <b>3 Years</b> |
|----------|----------------|

### CERTIFICATES

|              |                |
|--------------|----------------|
| Certificates | <b>CE,UKCA</b> |
|--------------|----------------|

