

ASSEMBLY INSTRUCTION
1100-EM101T-2171





	SPEC.	AMOUNT	FITTINGS	SPEC.	AMOUNT
A	 M8x80	8pcs	B	 6mm	1pcs
C	 $\phi 17x \phi 8x2$	8pcs	D	 $\phi 14x \phi 8x2.5$	8pcs

FIG.
1

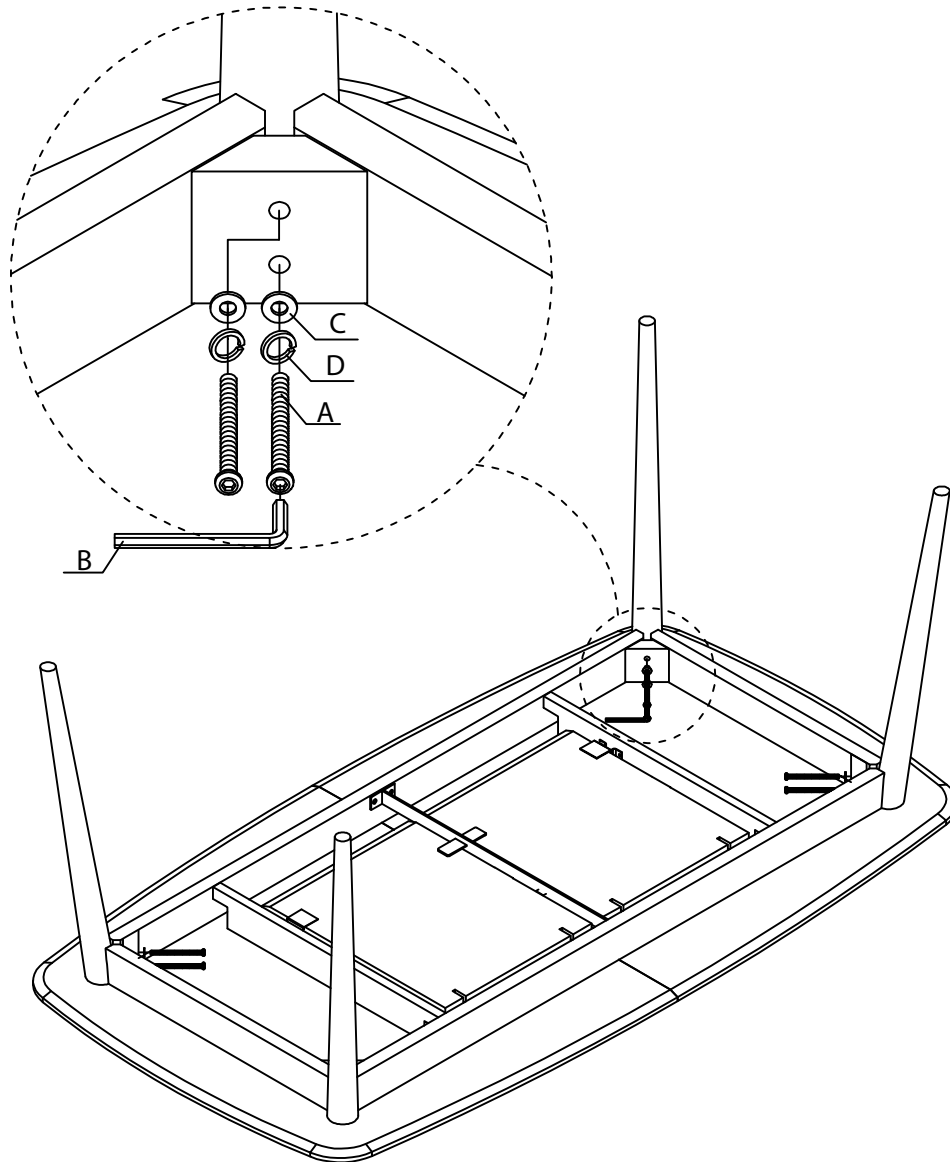


FIG.
2

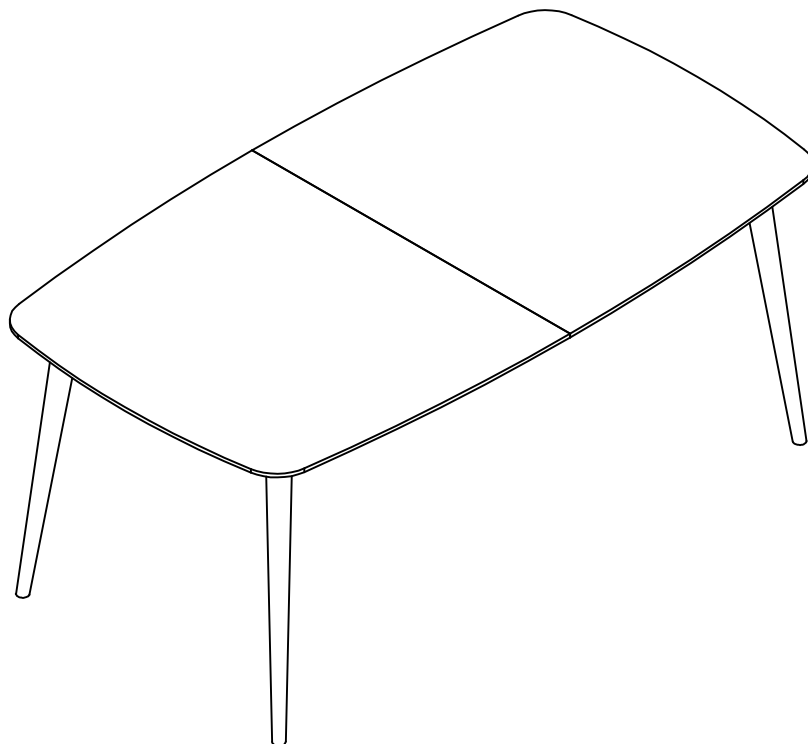


FIG.
3

