

ASSEMBLY INSTRUCTION
3226-IZ-DW155-2243


NO.	Design	Size	Qty	NO.	Design	Size	Q
A		ST4*16	16				

FIG.
1

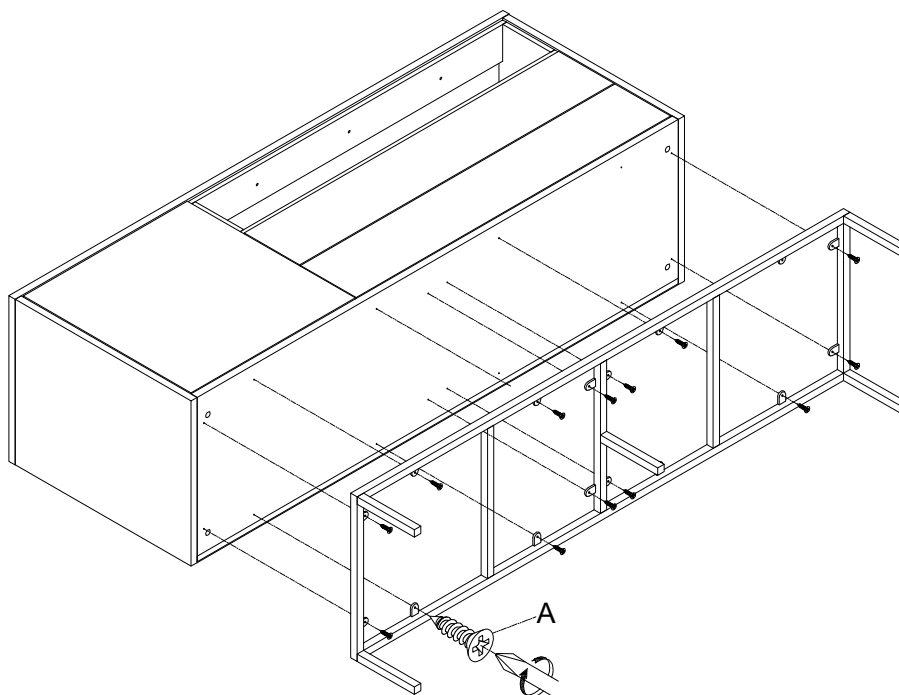


FIG.
2

