










ASSEMBLY INSTRUCTION

7036-CP1709-A - 1767



- 
A x4
 Spec: $\varnothing 8 \times 30$
 - 
B x1
 Spec: 10g
 - 
C x8
 Spec: $\varnothing 7 \times 1.48$
 - 
D x8
 Spec: $\varnothing 15 \times H15$
 - 
E x12
 Spec:
 - 
F x8
 Spec: $\varnothing 8 \times \varnothing 14$
 - 
G x4
 Spec: M6x30
-
- 
H x4
 Spec: M6x35
 - 
I x6
 Spec: $\varnothing 3.8 \times L38$

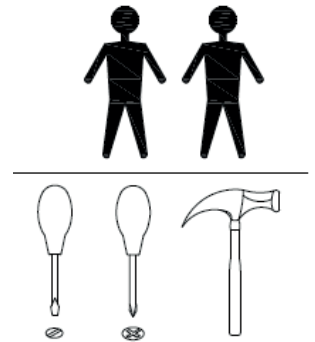


FIG. 1

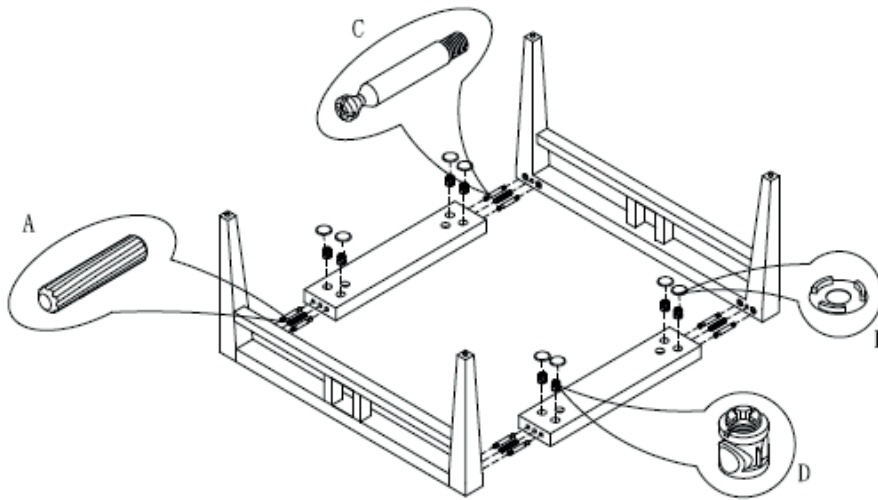


FIG. 2

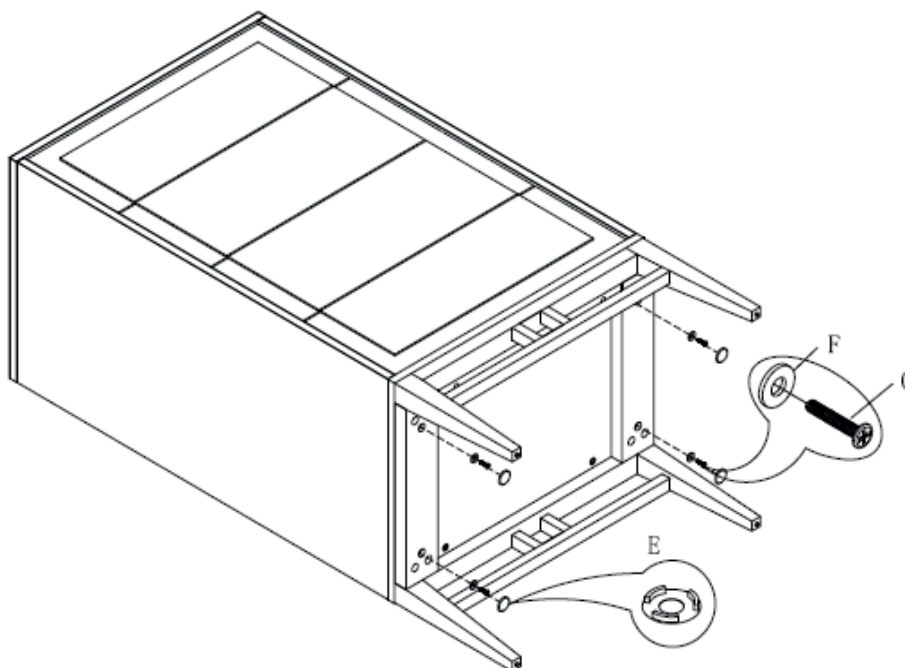


FIG.
3

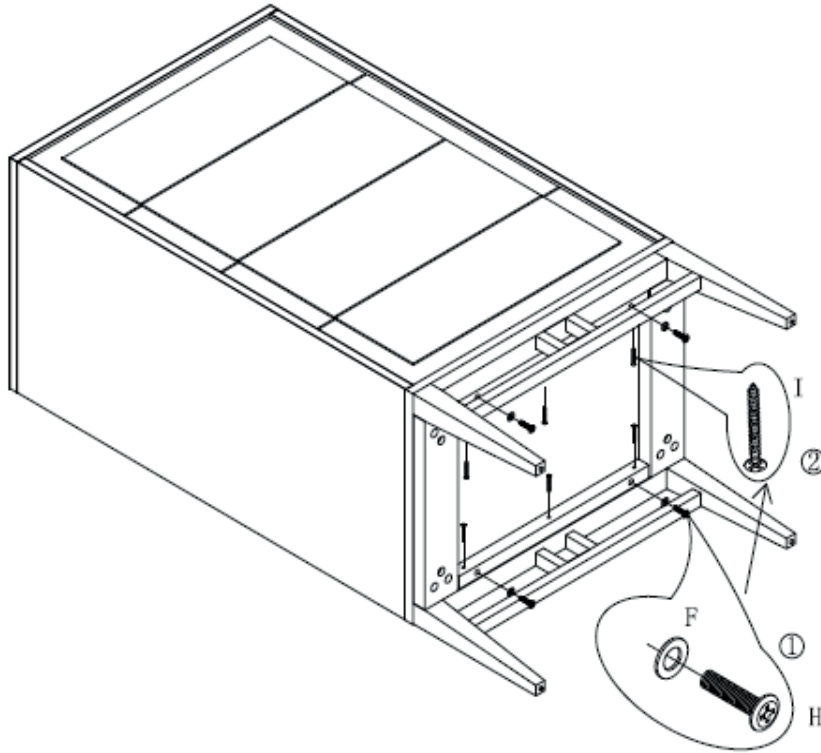


FIG.
4

