

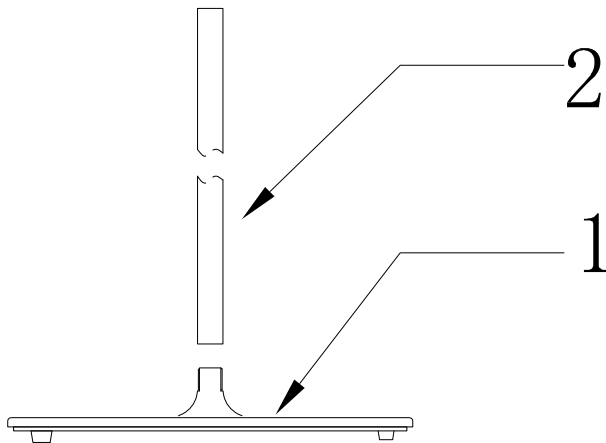


1PC



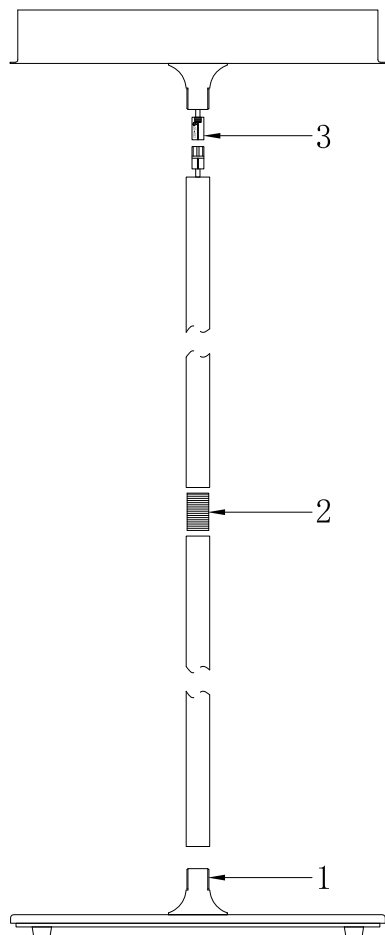
1PC

FIG.
1



Fit part 1 to base n°2

FIG.
2



Fit part 2 to part n°3



1PC



1PC

FIG.
3

