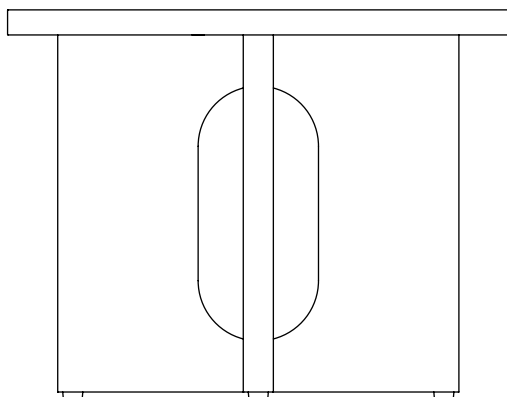


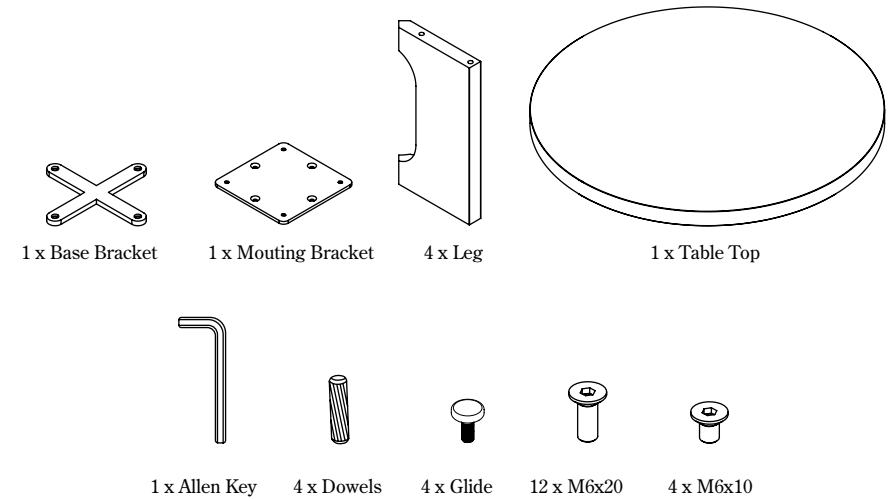
Audo

COPENHAGEN



ANDROGYNE SIDE TABLE, Ø50
Designed by *Danielle Siggerud*

Component Overview



Congratulations on your ANDROGYNE SIDE TABLE
designed by *Danielle Siggerud*.

We hope you will enjoy using this item and follow these
instructions to ensure correct assembly.
These instructions are provided for your safety.

It is important that the instructions are read carefully
and completely before assembling.

Important information

This manual is for:

Androgyne Lounge Table, Natural Oak
Androgyne Lounge Table, Dark Stained Oak
Androgyne Lounge Table, Walnut
Androgyne Lounge Table, Kunis Breccia Stone Tabletop/Natural Oak Base
Androgyne Lounge Table, Kunis Breccia Stone Tabletop/Dark Stained Oak Base
Androgyne Lounge Table, Kunis Breccia Stone Tabletop/Walnut Base

Caution

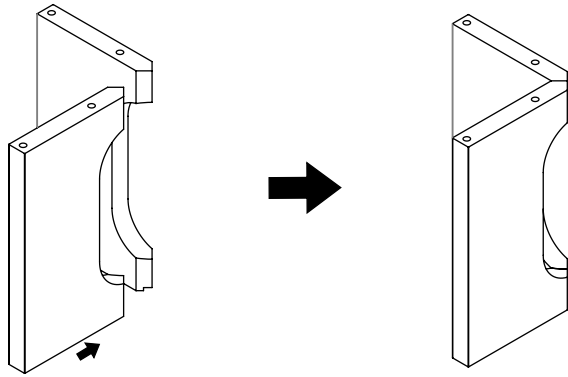
Please ensure that all assembly is done on a soft and flat surface, to ensure that the components will not be damaged/scratched. During assembly of the base, loosely tighten screws. When all screws are in place, you may then tighten the screws completely.

Marble and stone is very fragile, handle it with care

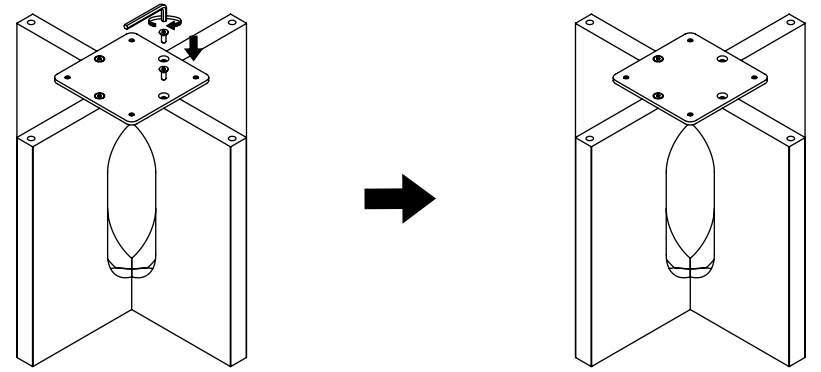
Care and maintenance

Please see care instructions on www.audocph.com

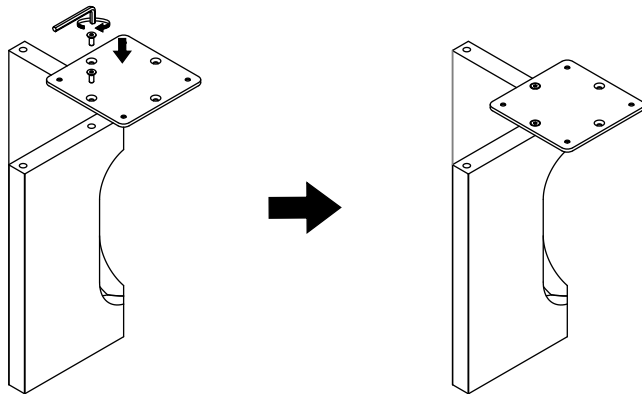
①



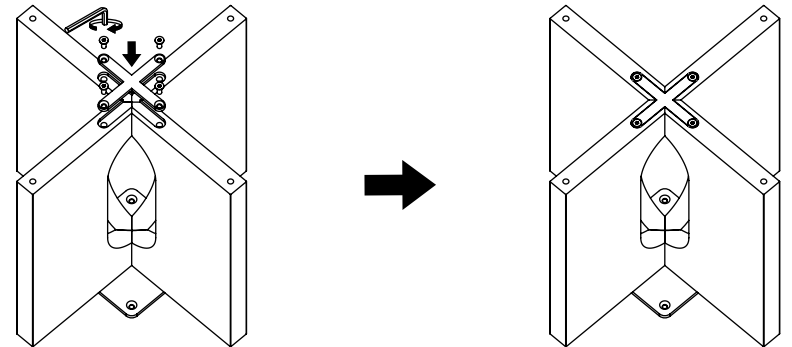
③



②



④



Note

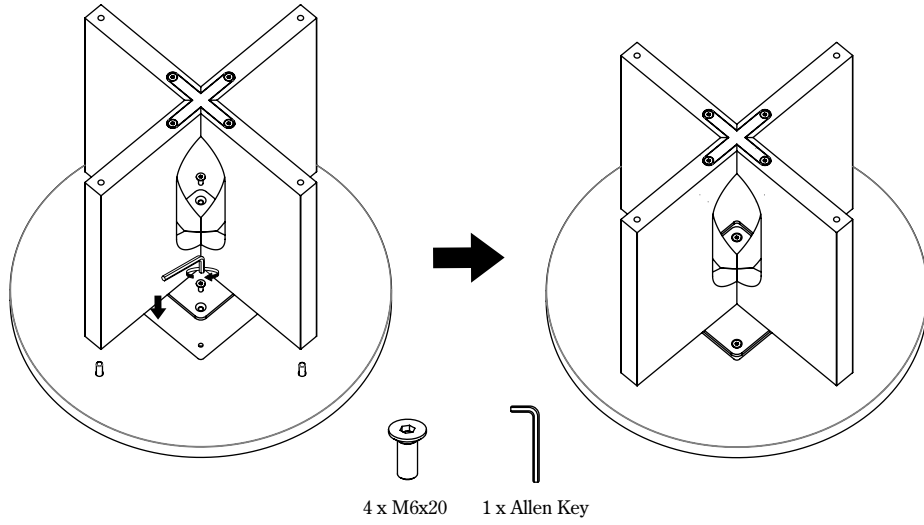
During assembly of the base, loosely tighten screws.
When all screws are in place, you may then tighten the screws completely.

Note

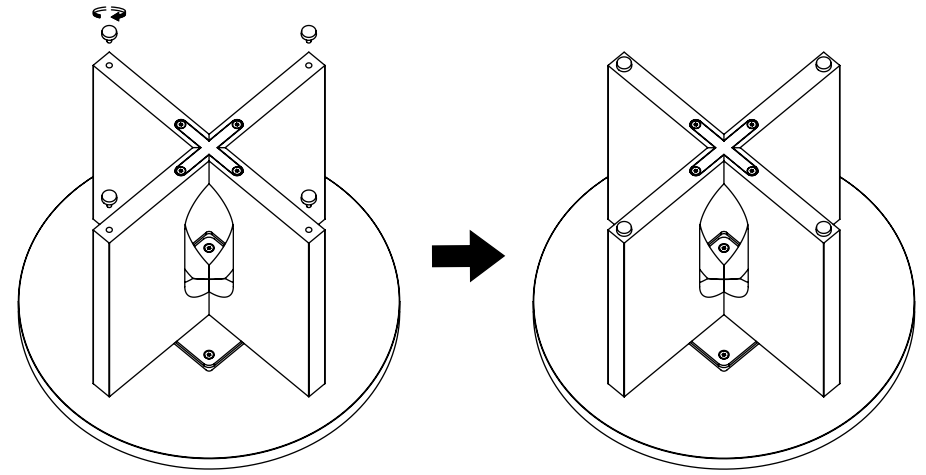
During assembly of the base, loosely tighten screws.
When all screws are in place, you may then tighten the screws completely.

5

For wood tabletop

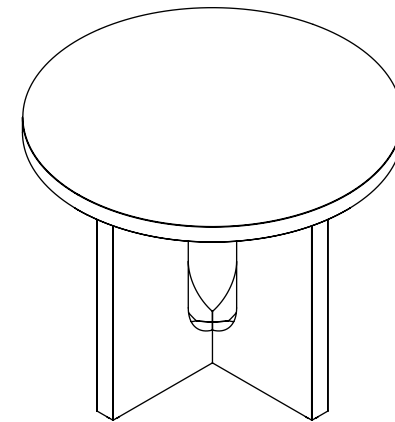
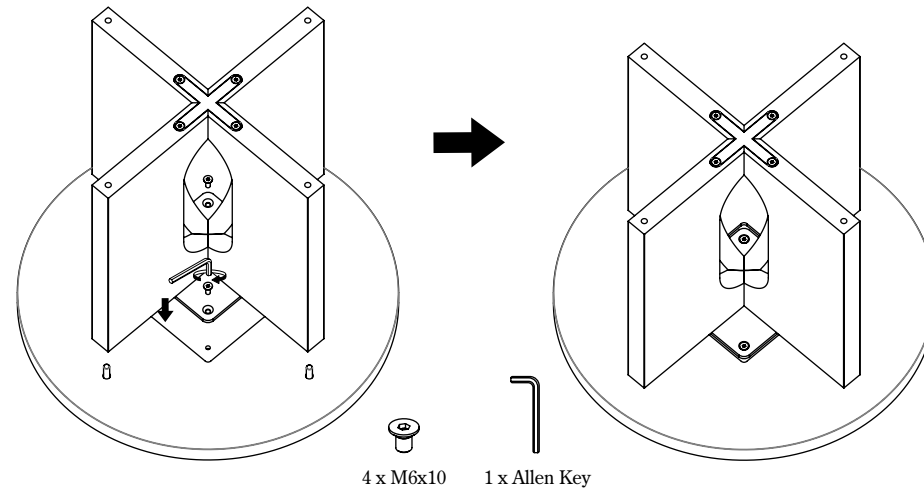


7



6

For stone tabletop



Note

During assembly of the base, loosely tighten screws.
When all screws are in place, you may then tighten the screws completely.

