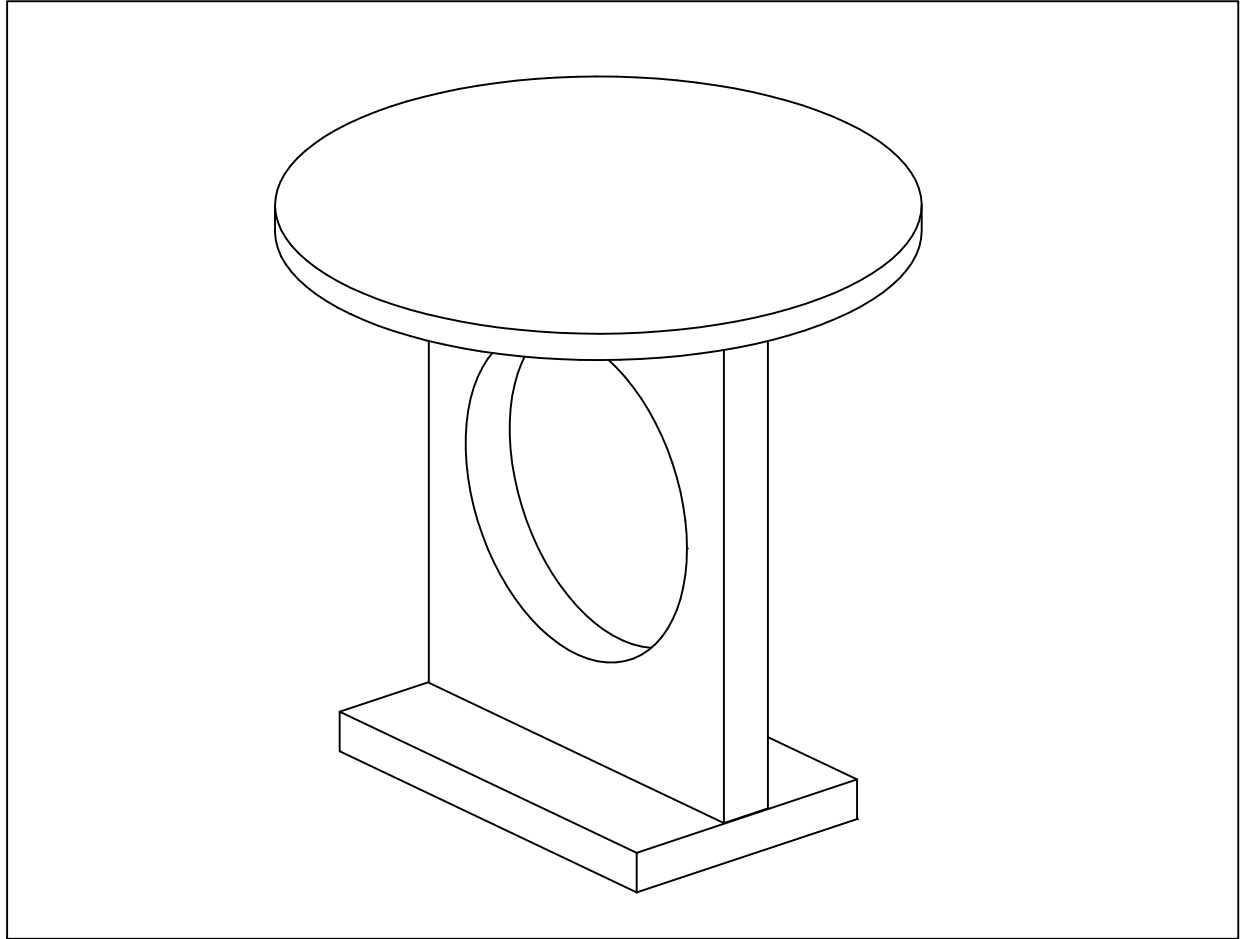


Assembly Instruction



450 x 450 x 450 (W x L x H, mm)

Batch code:



Woodman OÜ

Made in Estonia

Mäo, Järvamaa

www.woodman.ee

support@woodman.ee

Dear Customer

Congratulations on your new purchase. Follow this advice and get the best result when assembling the product.

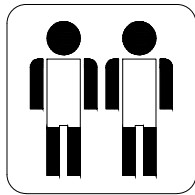
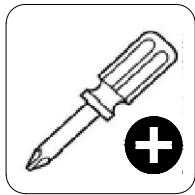
Read the instruction carefully before you start
Get help, if two or more persons are required for assembly
Make sure you have all parts on the total material list
Work on a soft, flat surface to avoid any damage to the finish

Follow the assembly instruction
Tighten the furniture joints after a month
Keep the assembly instruction

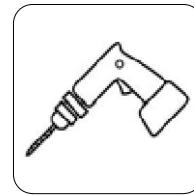
Allocate time

Some furniture can be assembled in minutes. Others - e.g. products in several parts - can take more than an hour to finish. Make sure to allocate good time or divide up the work

Tools needed



Do not use !!!



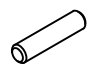




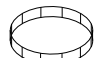
ENG - In case of any quality issues contact your local dealer and always mention item reference No.

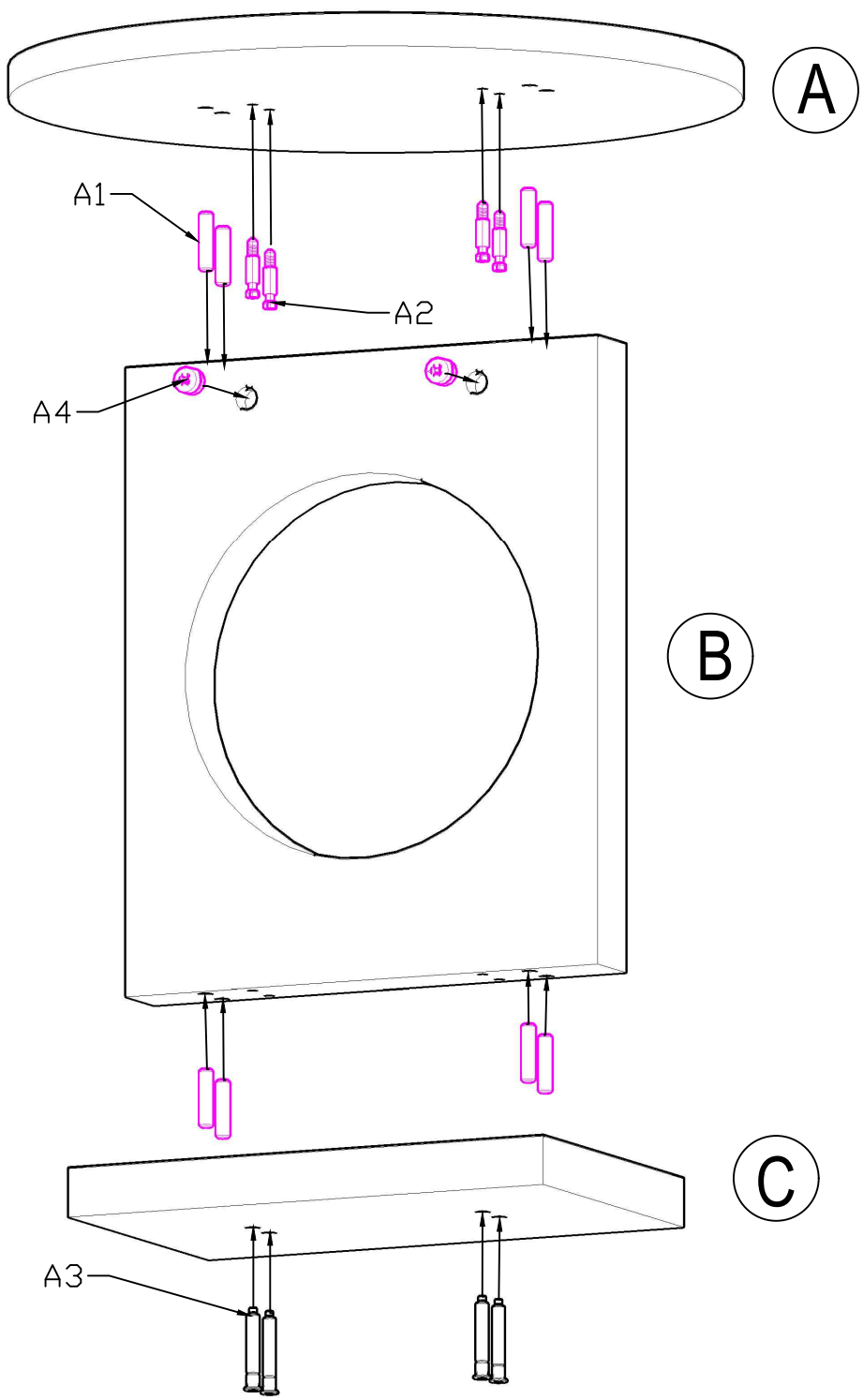
FR - En cas de problèmes de qualité contactez votre revendeur local et mentionnez toujours la référence de l'article.

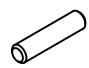

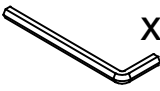
IT - In caso di eventuali problemi di qualità contattare il rivenditore locale e citare sempre punto di riferimento No.

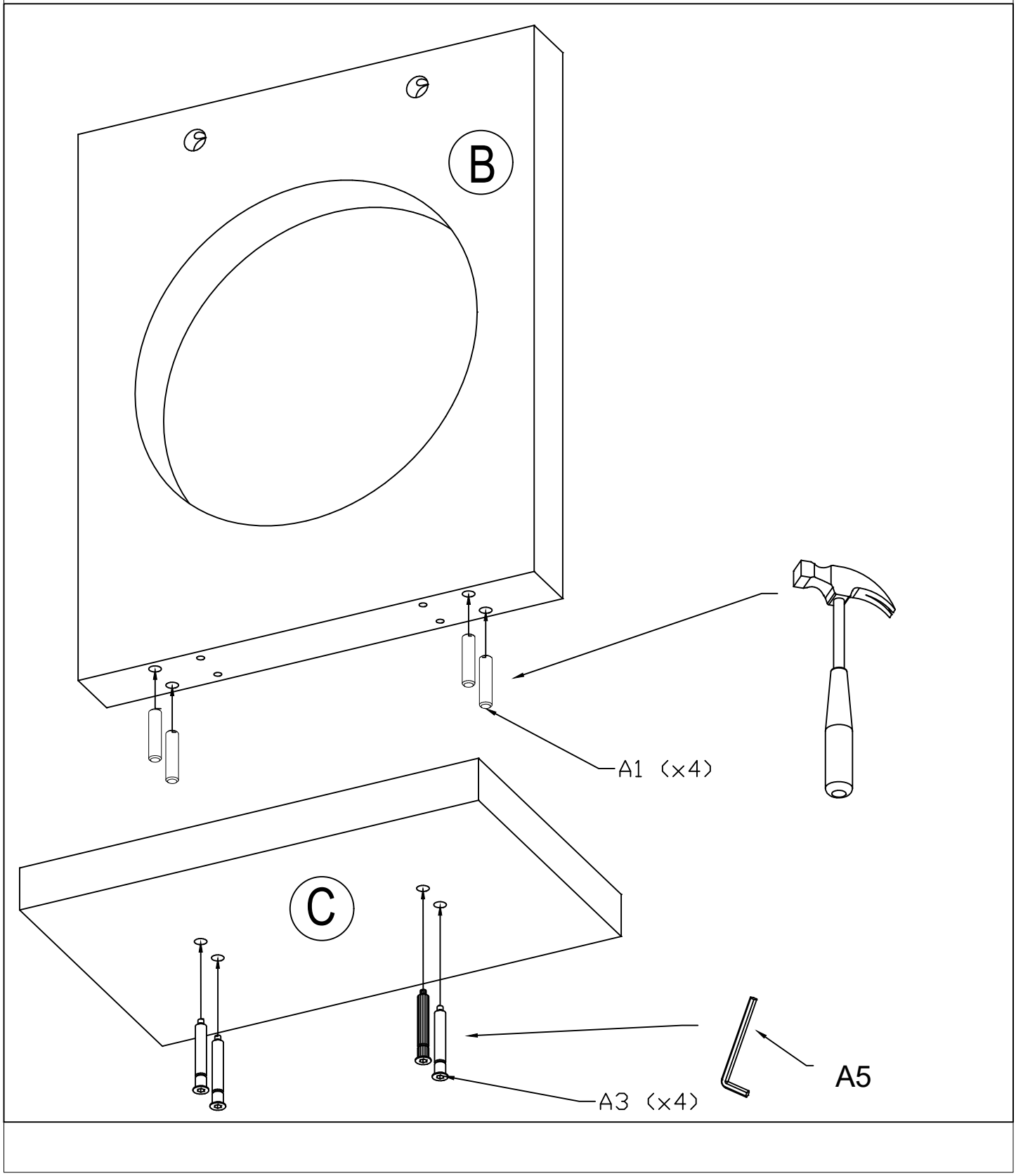
ES - En caso de problemas de calidad pongase en contacto con su distribuidor local y mencione siempre la referencia del artículo.

DE - Wenn Sie Qualitätsprobleme haben wenden Sie sich bitte an ihren örtlichen Händler und erwähnen Sie immer die Artikelnummer.

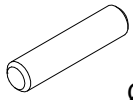
A1	 x8 Ø8x35	A2	 x4 Ø7x24	A3	 x4 Ø7x80
A4	 x4 Ø15x13	A5	 x1/x1 3mm/4mm	A6	 x4 d17



A1	 x4 Ø8x35	A3	 x4 Ø7x80	A5	 x1/x1 3mm/4mm
----	--	----	--	----	--

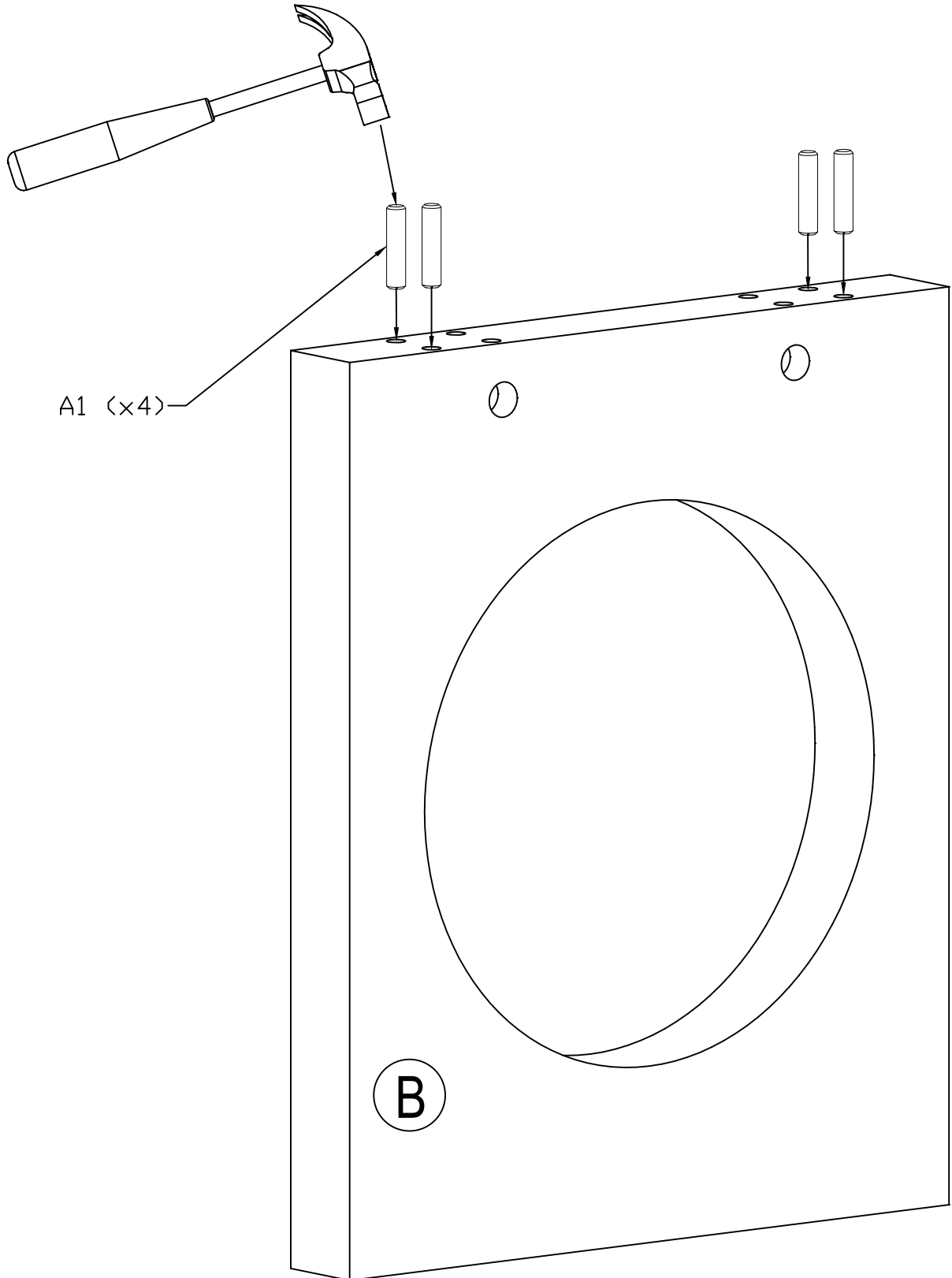


A1



x4

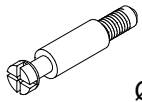
Ø8x35



A1 (x4)

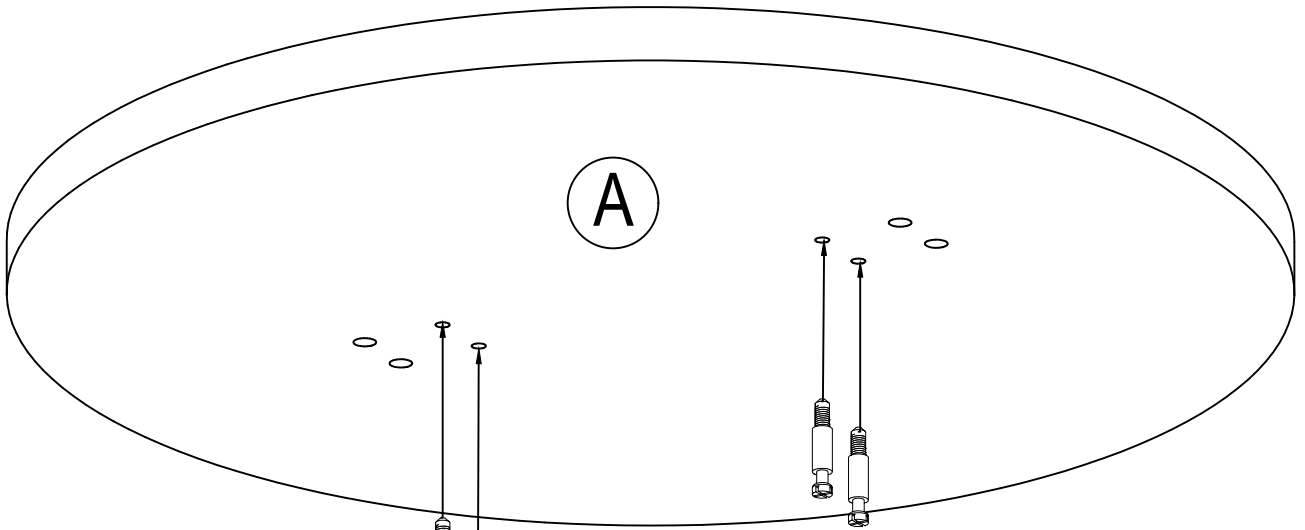
B

A2

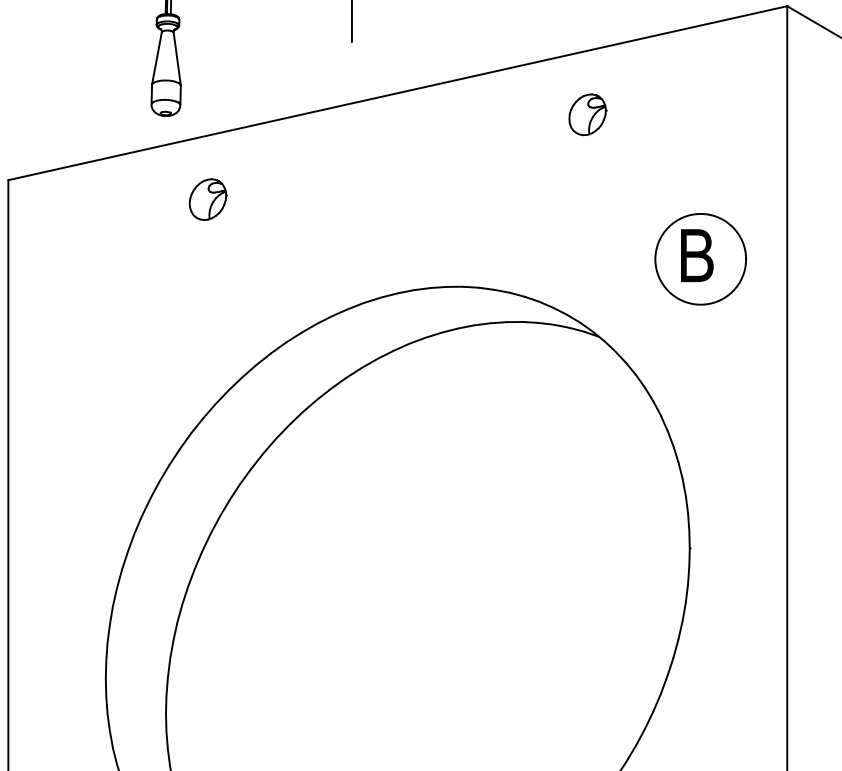


x4

Ø7x24



A3 (x4)



A4



x4

Ø15x13

A6



x4

d17

