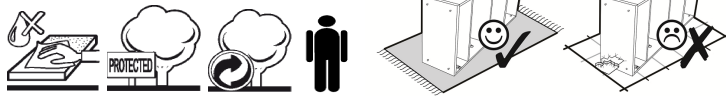


7200.449



A-12x



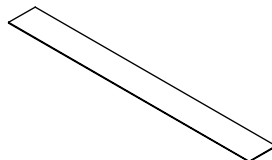
Ø7x32mm
0512.141

B-12x



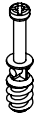
Ø12x10mm
0512.140

C-2x

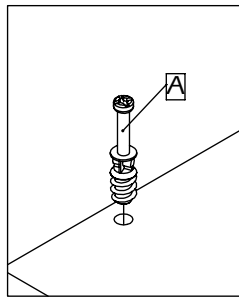
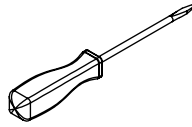
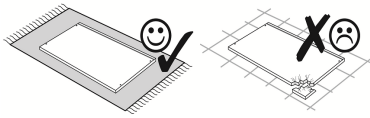


450x50x1mm
0992.004

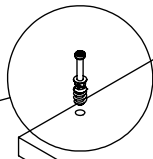
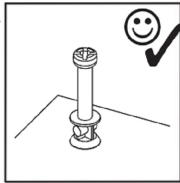
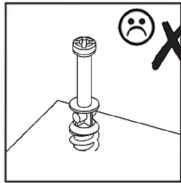
1 A - 10x



Ø7x32mm



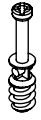
A



1 2x

2

A - 2x

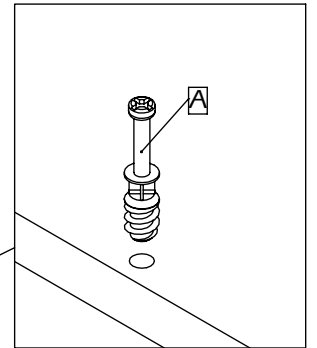
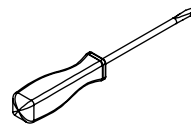
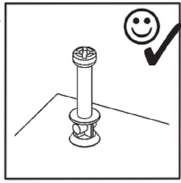
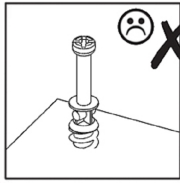


Ø7x32mm

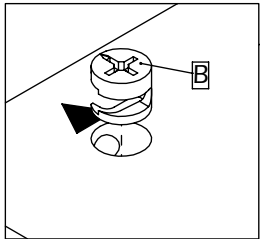
B - 8x



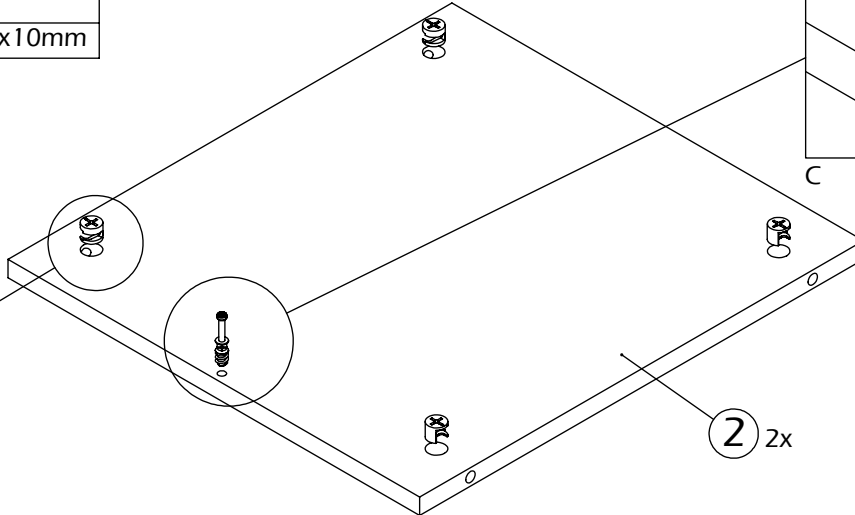
Ø12x10mm



C



B



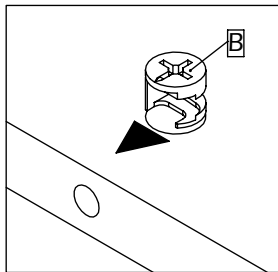
2 2x

3

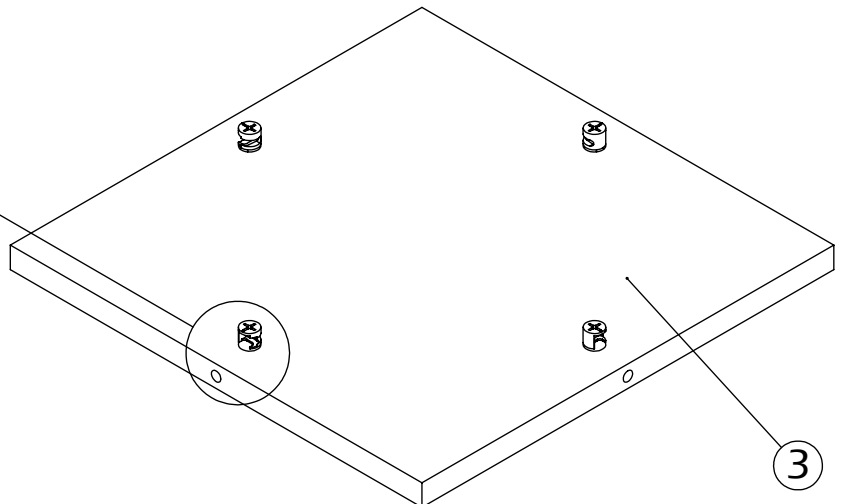
B-4x



Ø12x10mm

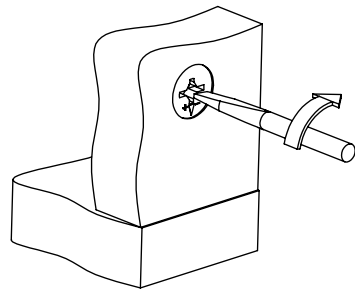
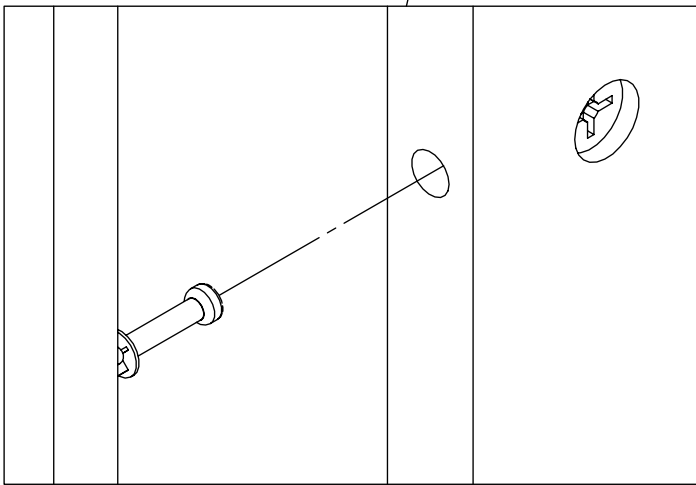
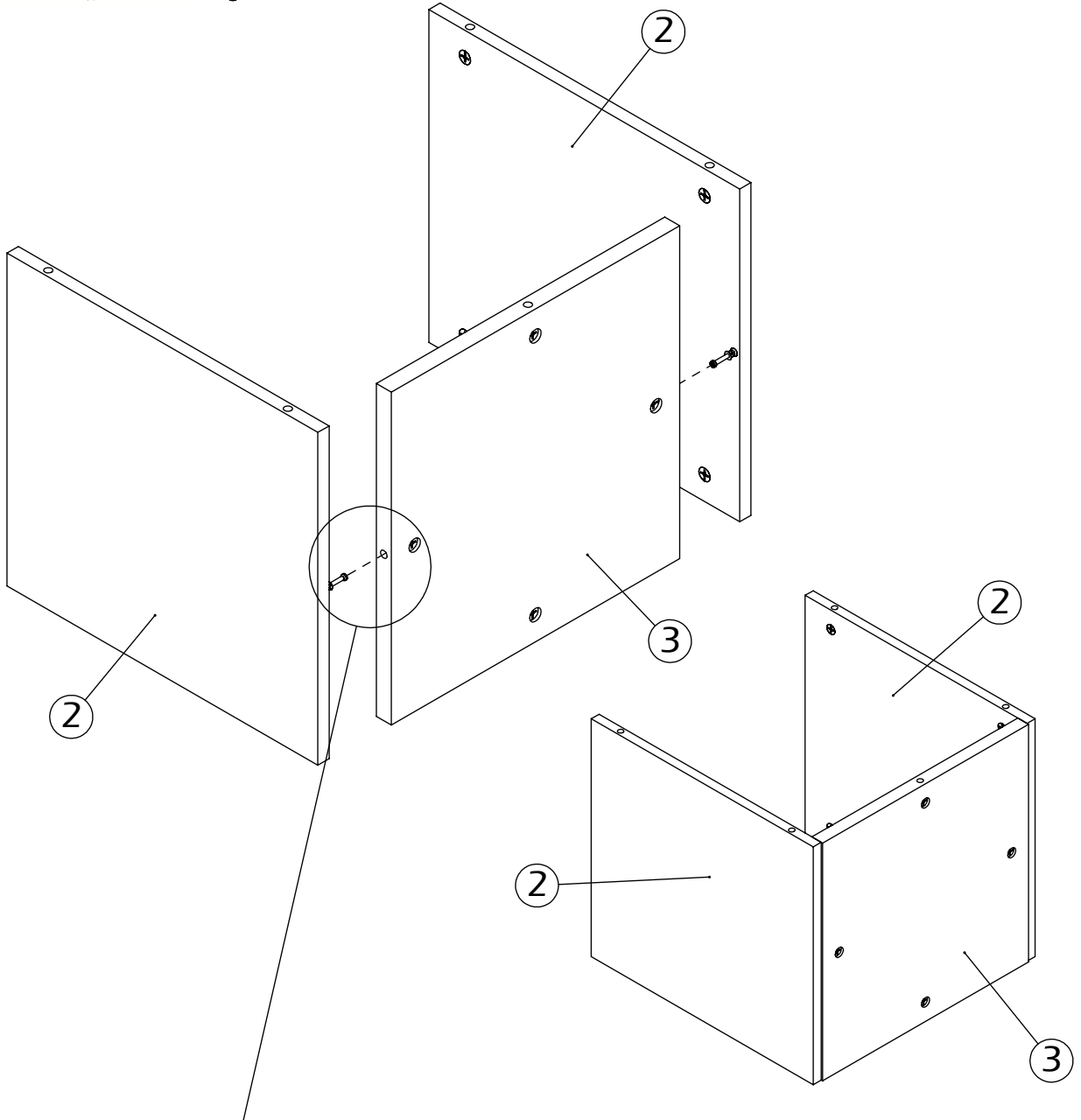


D



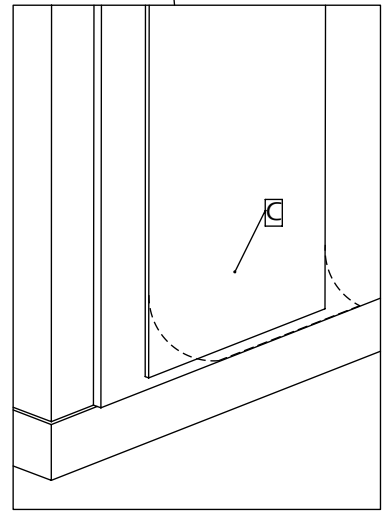
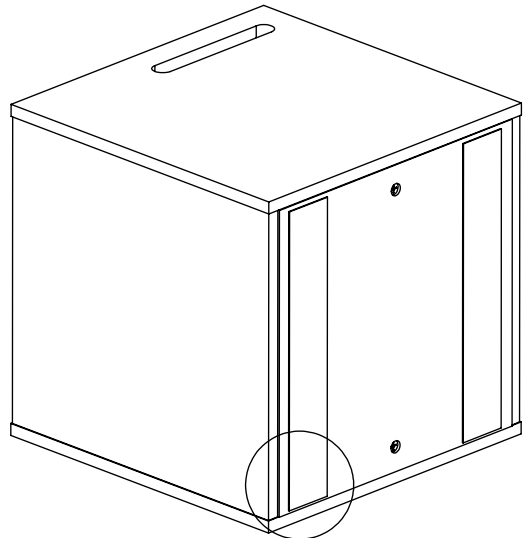
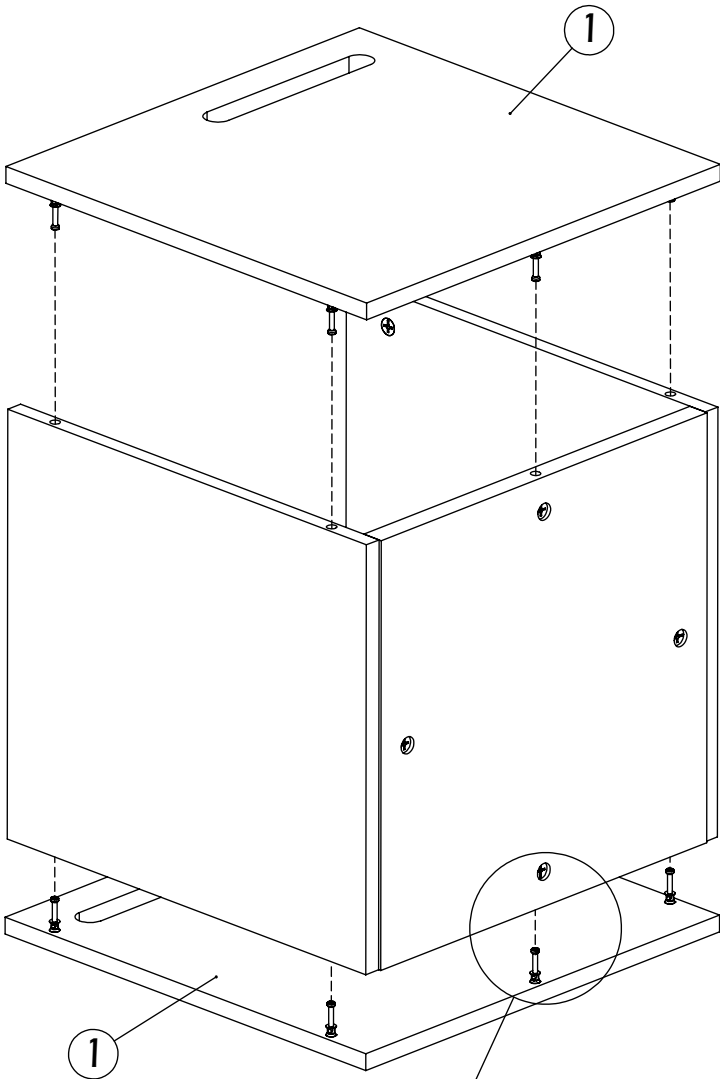
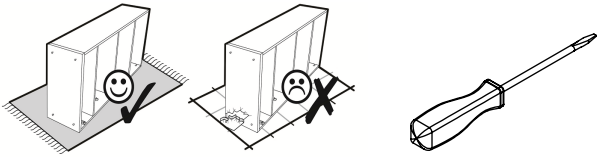
3

4

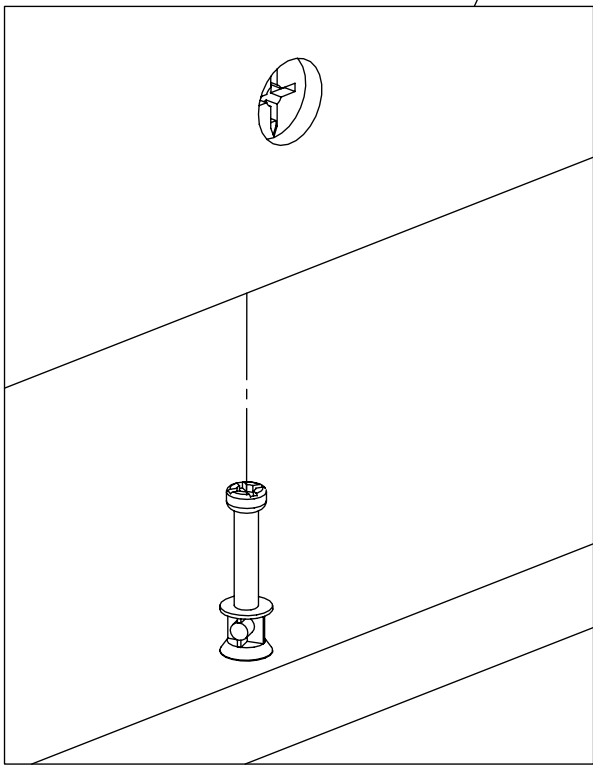


E

5



G



F

