

Kave® Cares



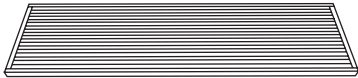
15 min



x1



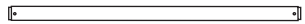
x2



**A** x1



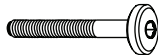
**B** x2



**C** x1



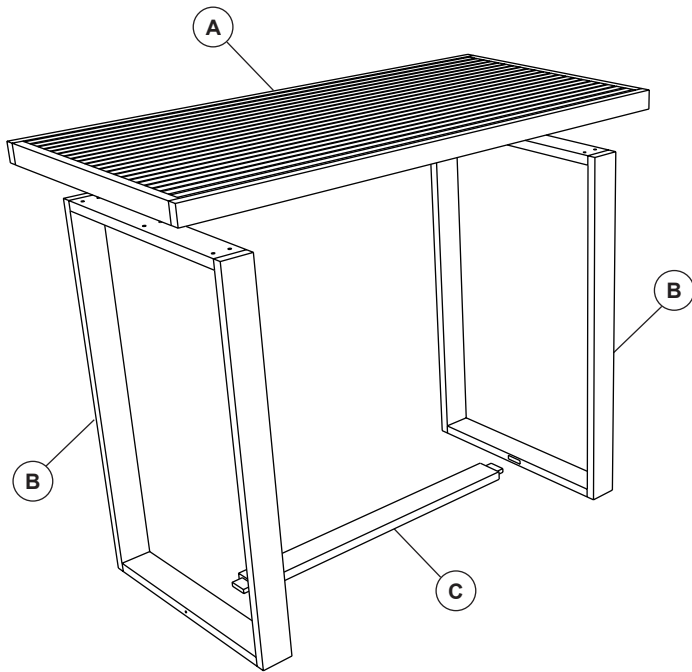
**D** x2



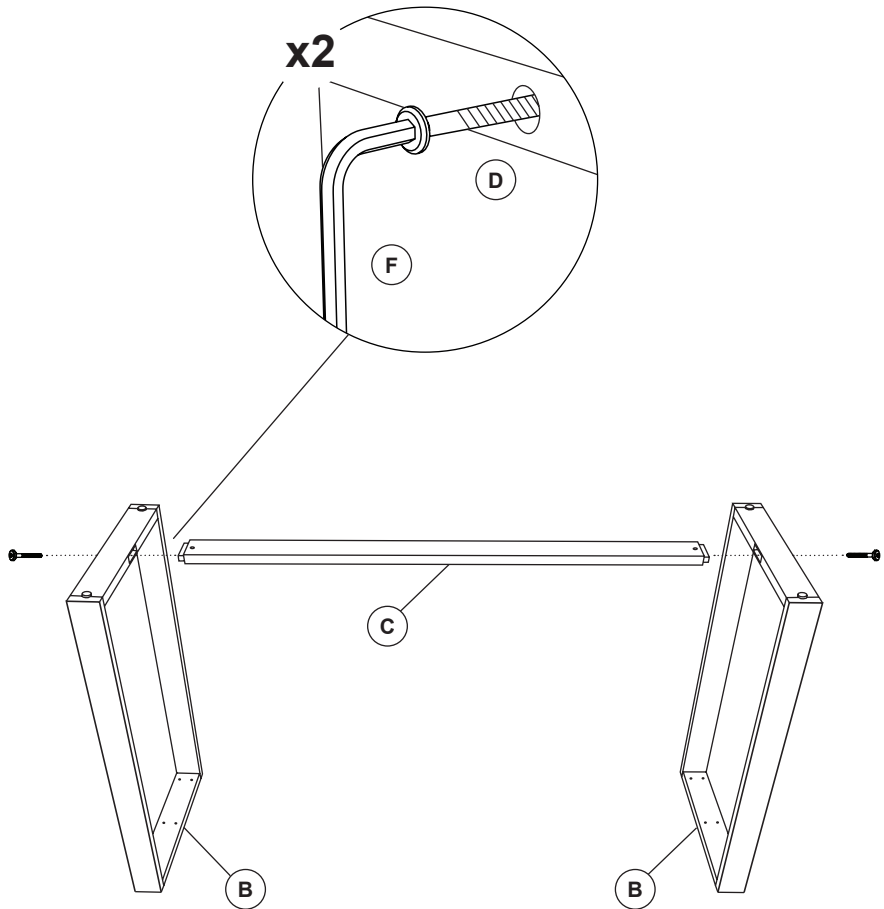
**E** x12



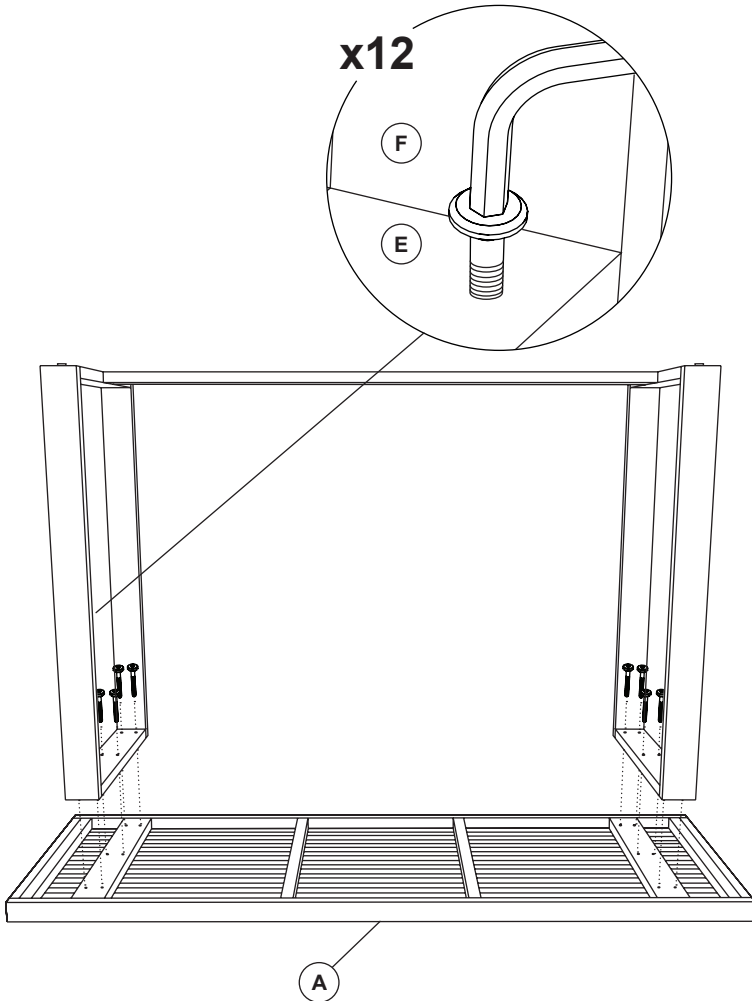
**F** x1

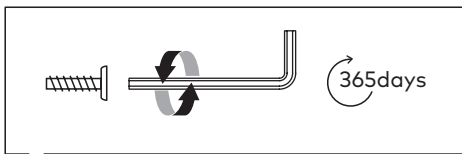
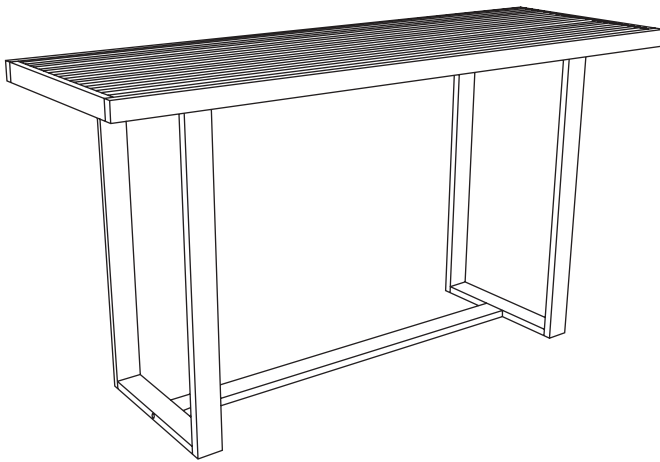


1



2







**THAT'S ALL FOLKS**

Share your style!

**#KaveHome**

