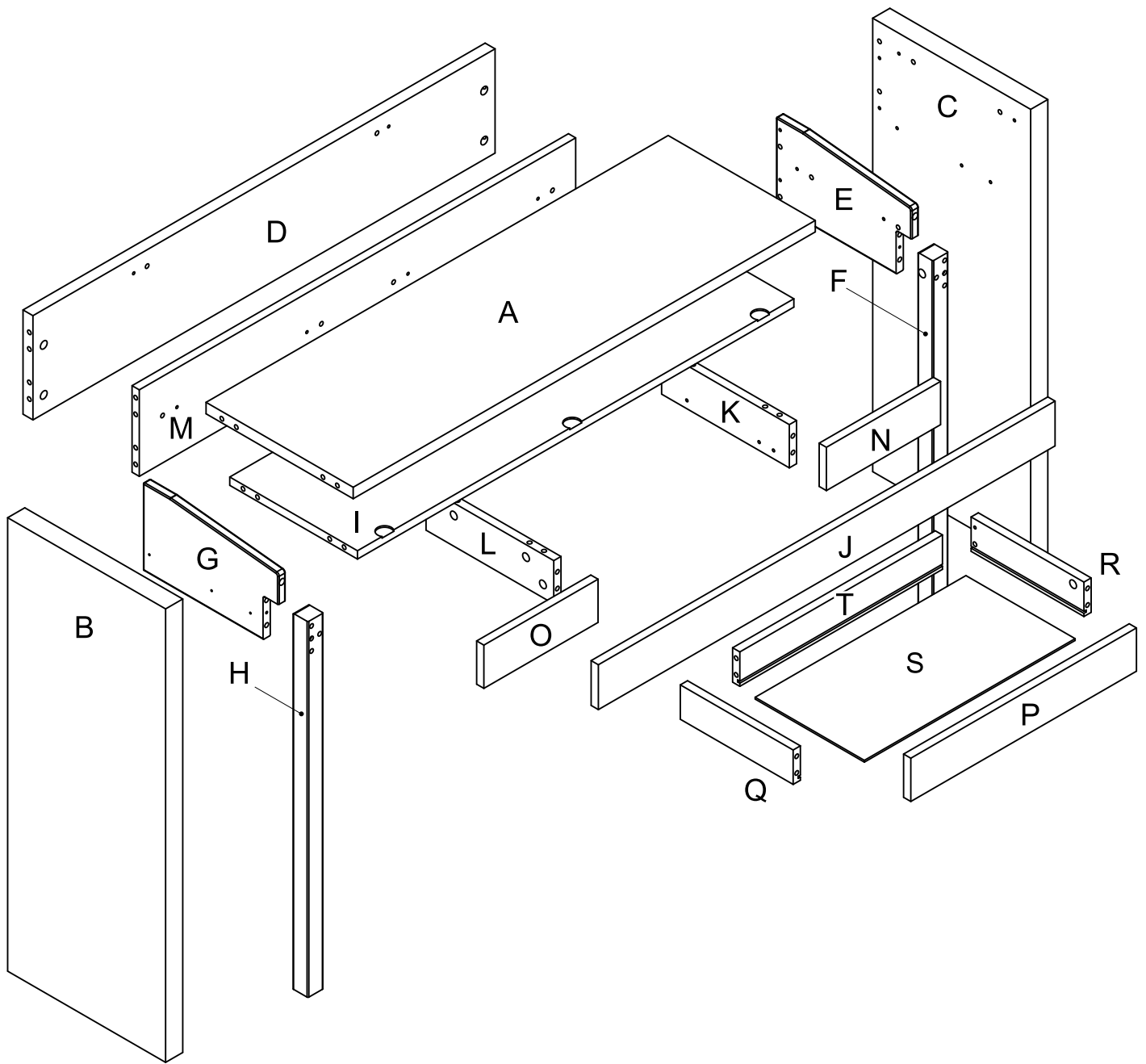


Reference no:

1



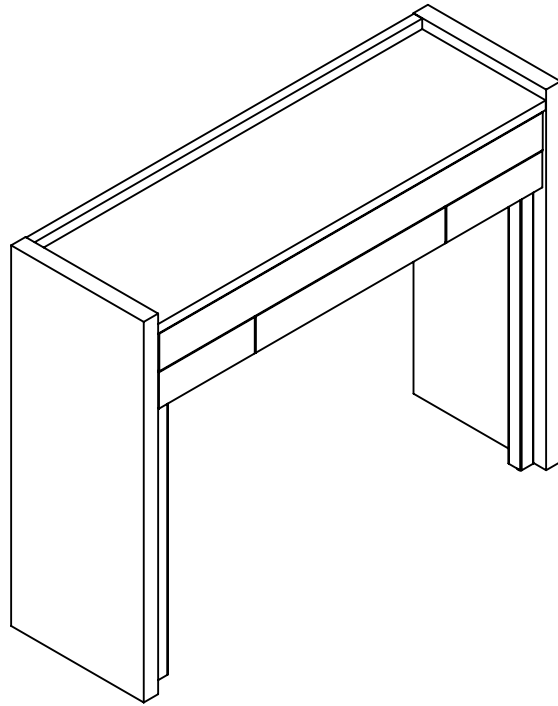
ENG – In case of any quality issues, contact your local dealer and always mention item reference No.

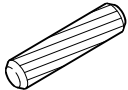


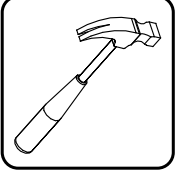
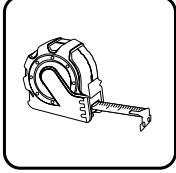

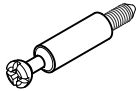

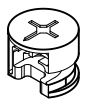

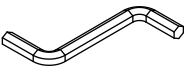
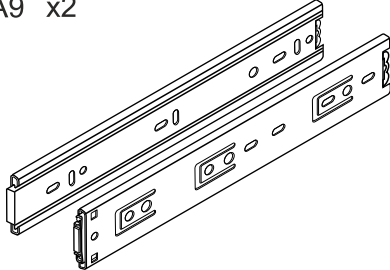


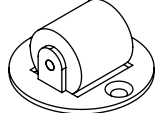
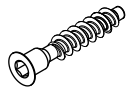
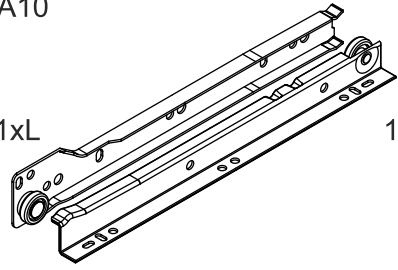

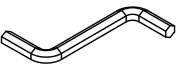
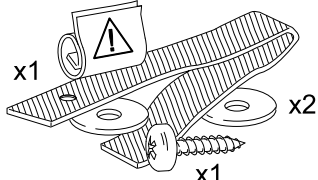
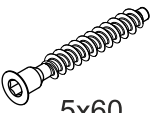

FR - En cas de problèmes de qualité, contactez votre revendeur local et mentionnez toujours la référence de l'article.

IT - In caso di eventuali problemi di qualità, contattare il rivenditore locale e citare sempre punto di riferimento No.

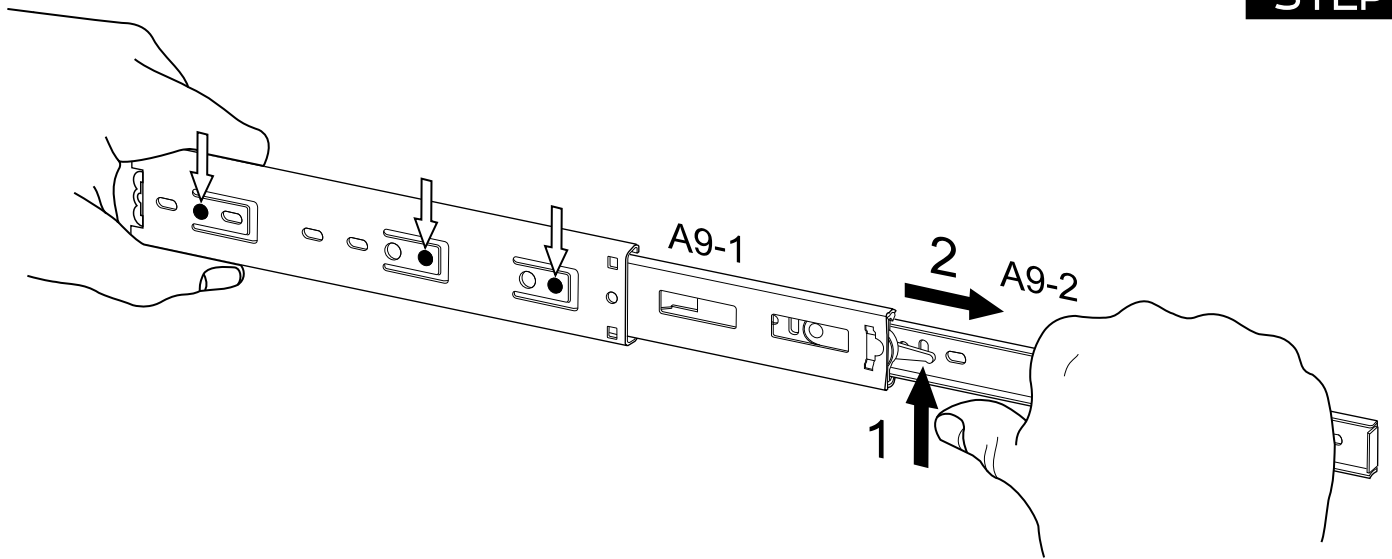
ES - En caso de problemas de calidad, póngase en contacto con su distribuidor local y mencione siempre la referencia del artículo.

DE - Wenn Sie Qualitätsprobleme haben wenden Sie sich bitte an ihren örtlichen Händler und erwähnen Sie immer die Artikelnummer.

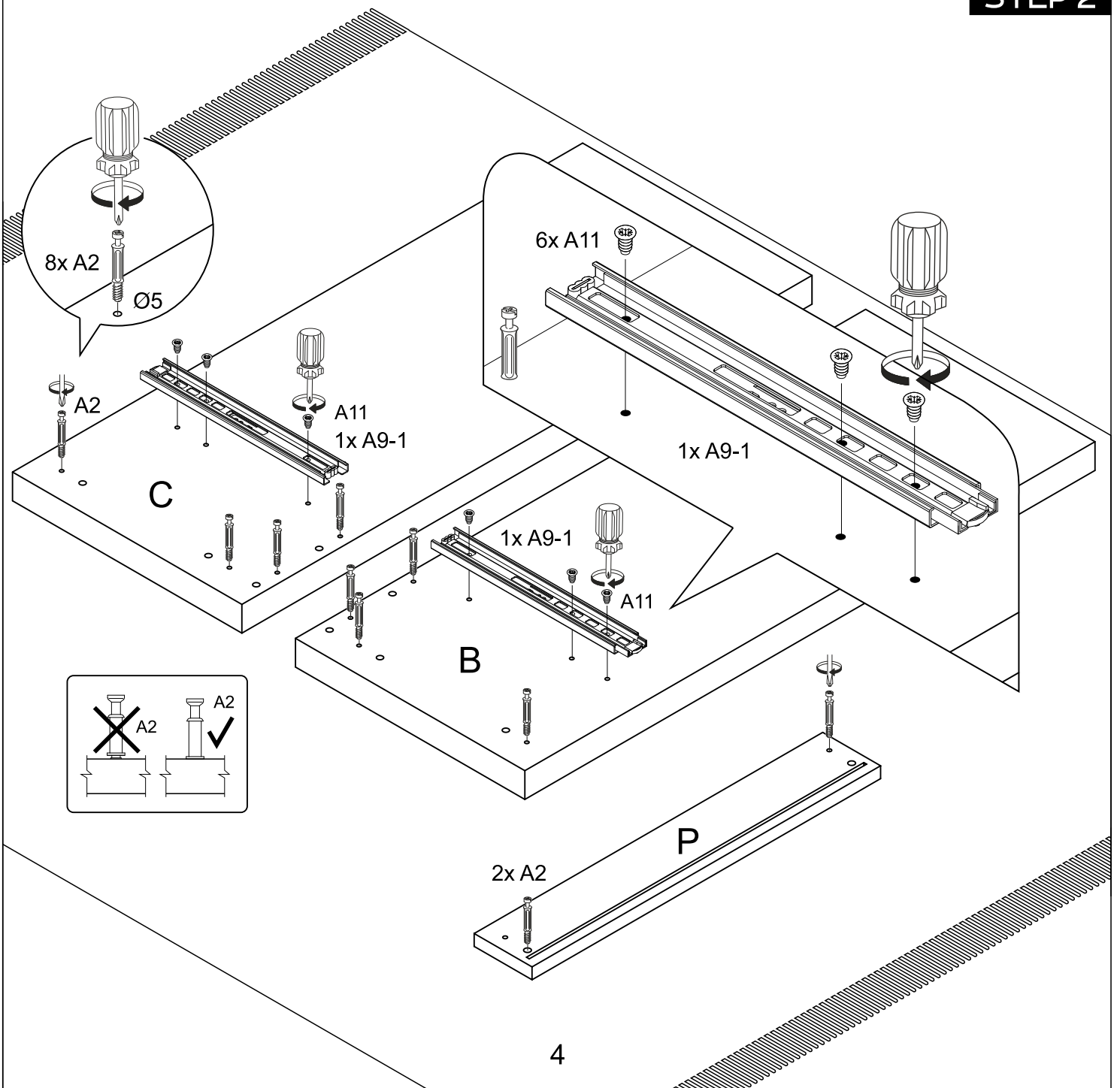


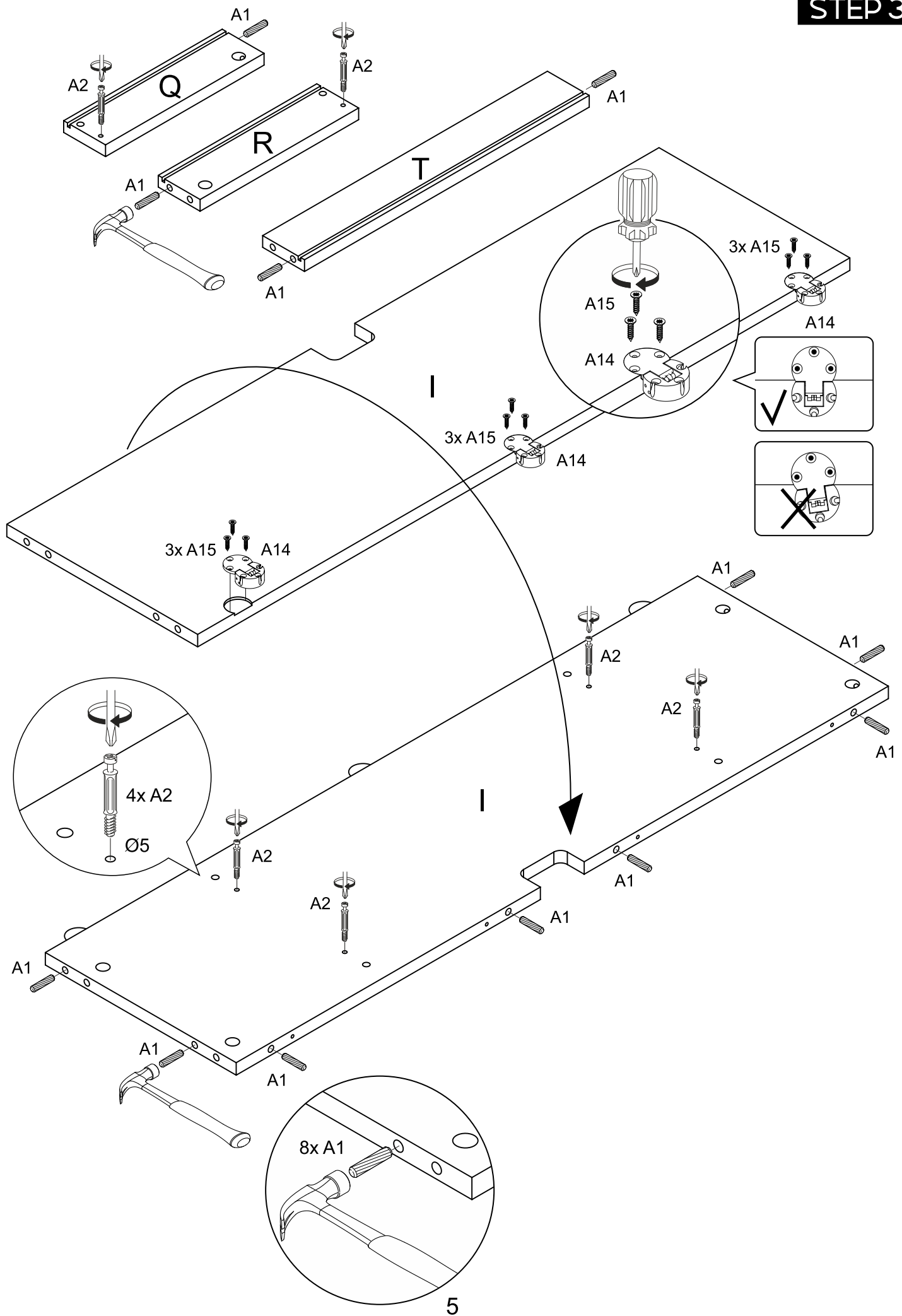
<p>A1  x40 8x35</p>	   	<p>A12  x6 3,5x12</p>
<p>A2  x30 7x24</p>		<p>A13  x6 3,0x15</p>
<p>A3  x30</p>		<p>A14  x3</p>
<p>A4  x1 4 mm</p>	<p>A9 x2</p> 	<p>A15  x22 2,5x13</p>
<p>A5 </p>		<p>A16  x2</p>
<p>A6  x4 5x50</p>	<p>A10 x1</p>  <p>1xL 1xR</p>	<p>A17  x4</p>
<p>A7  x1 3 mm</p>		<p>A18  x1 x2 x1</p>
<p>A8  x2 5x60</p>	<p>A11  x12 6x13</p>	

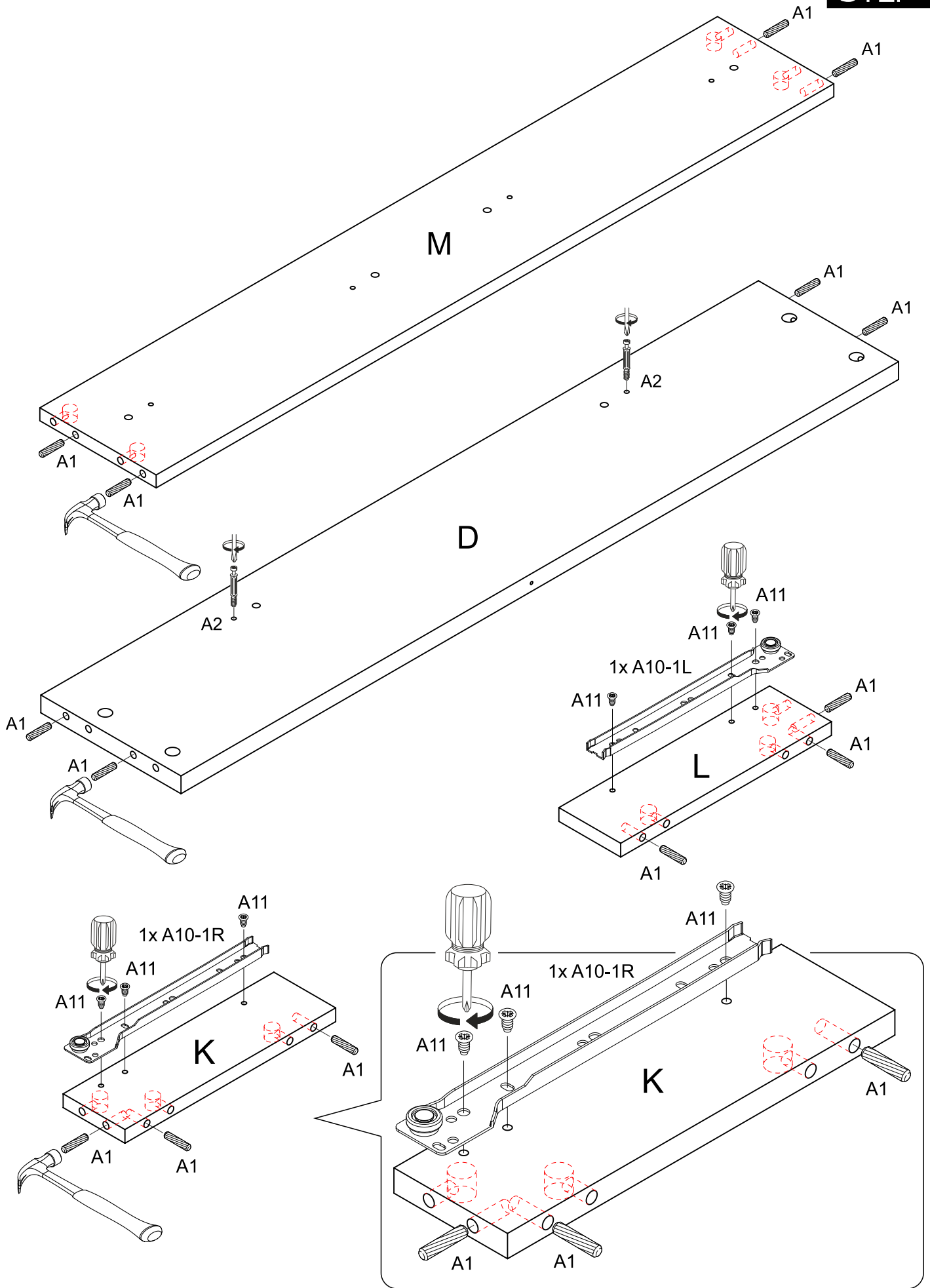
STEP 1

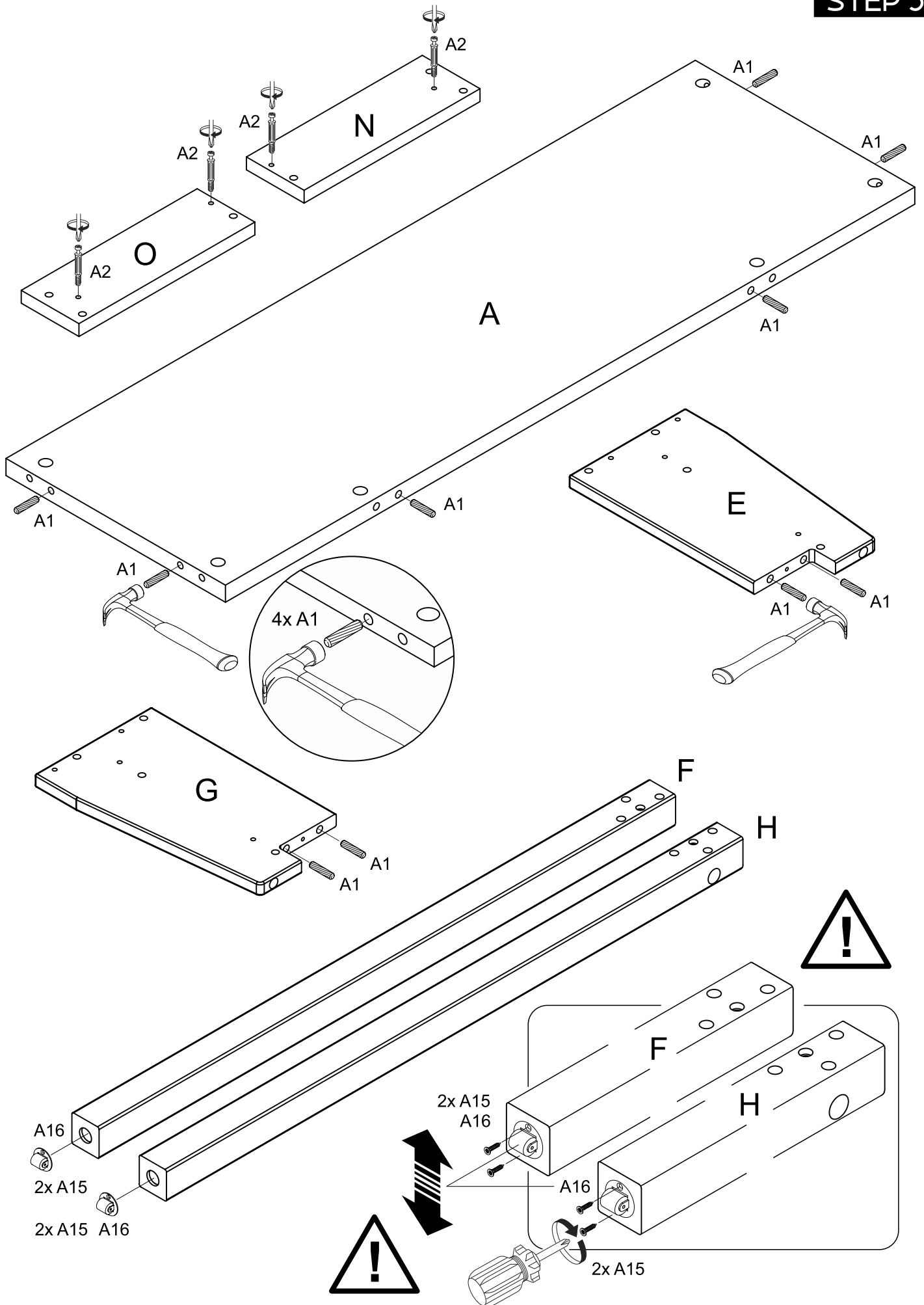


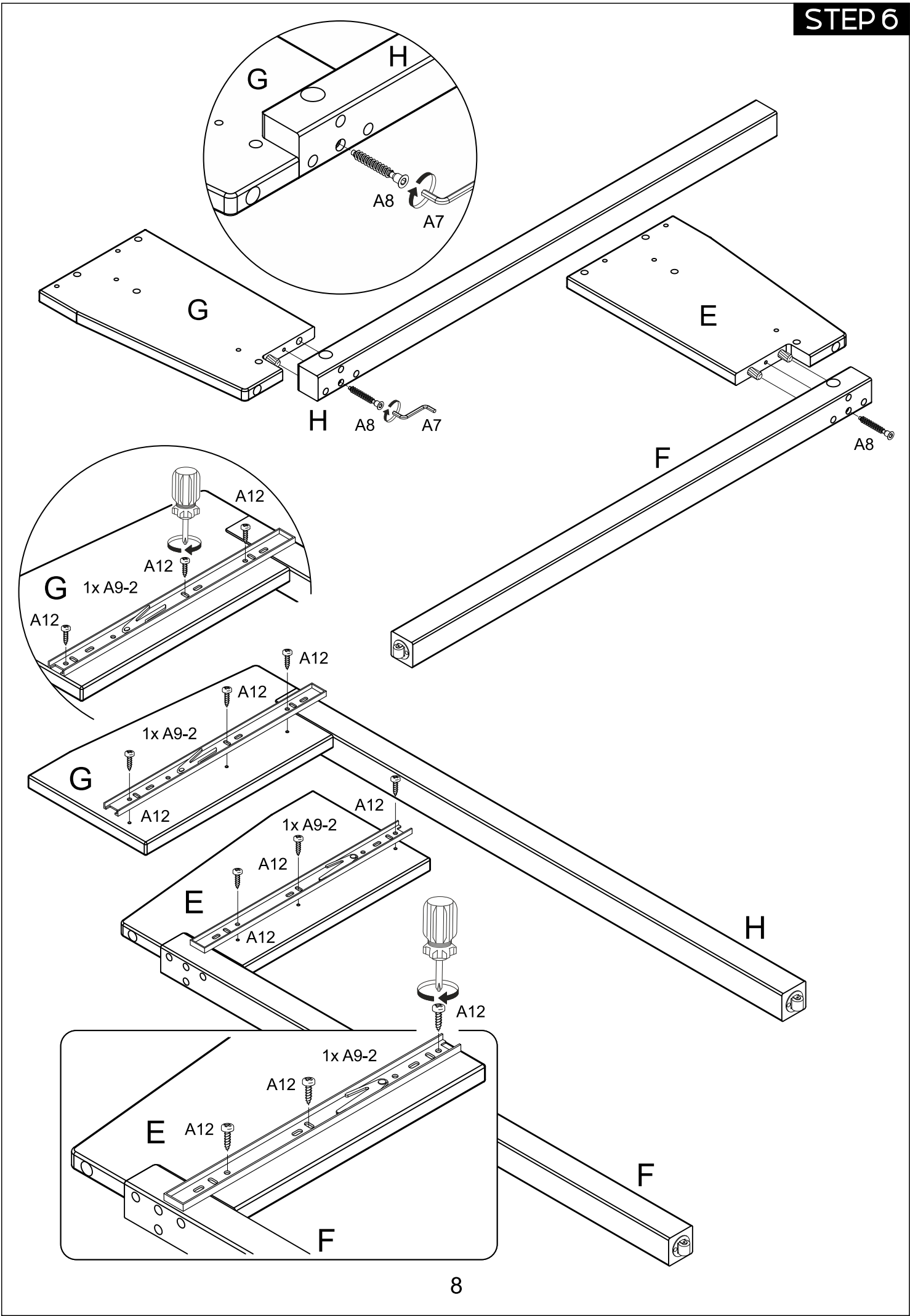
STEP 2



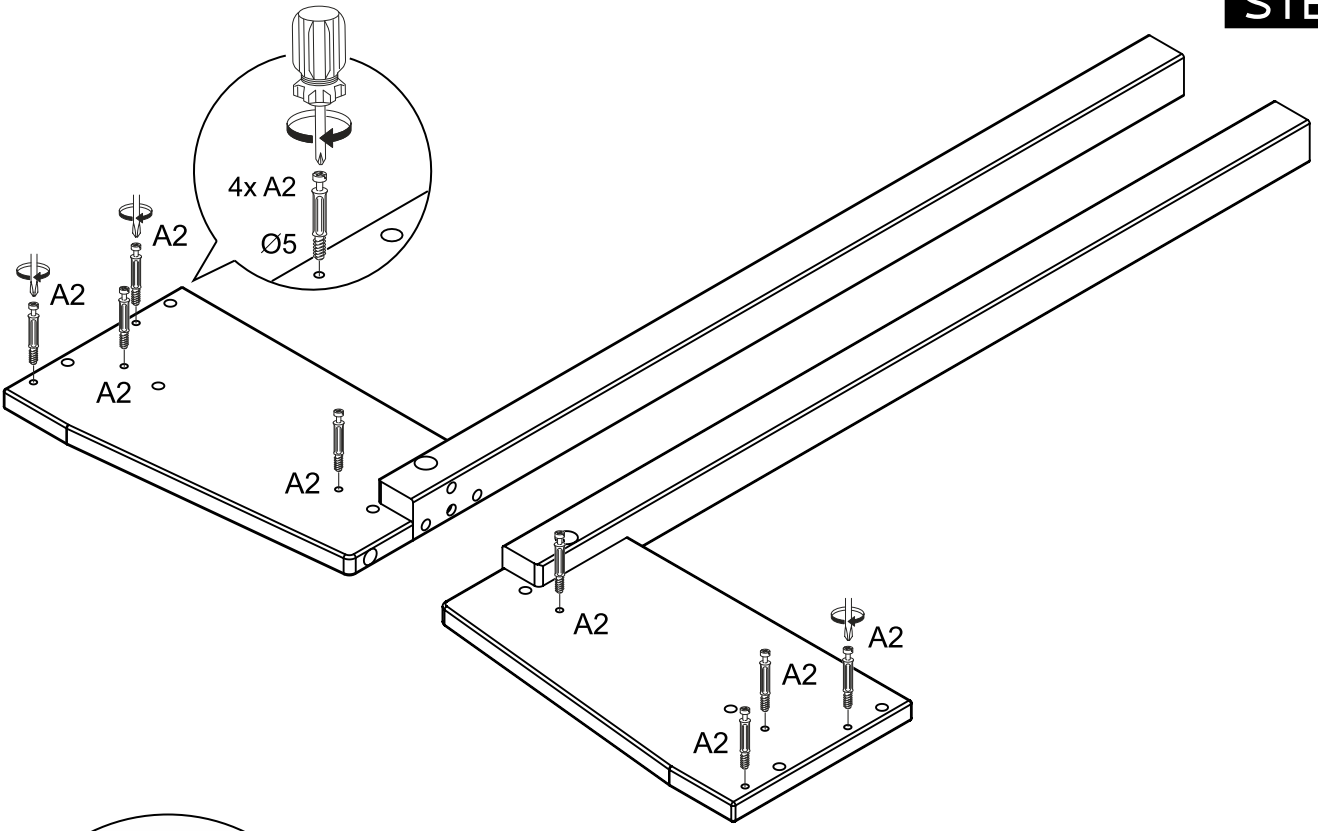




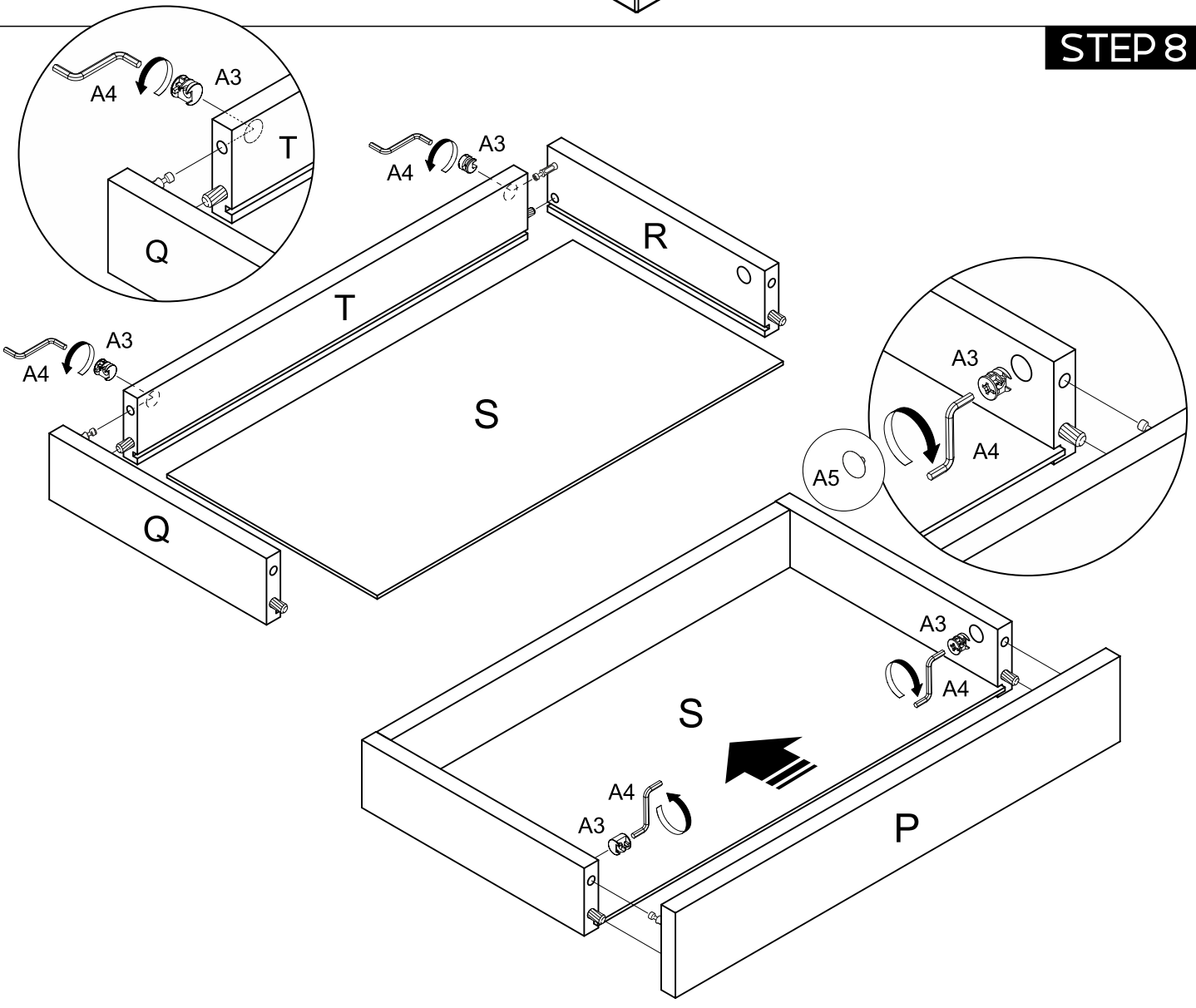




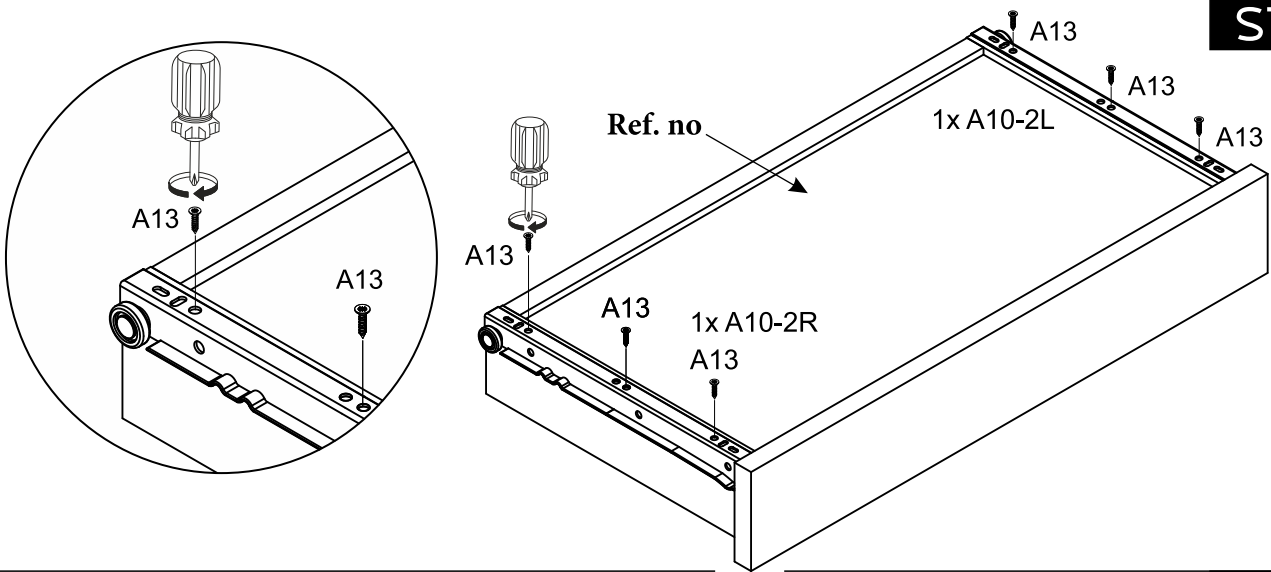
STEP 7



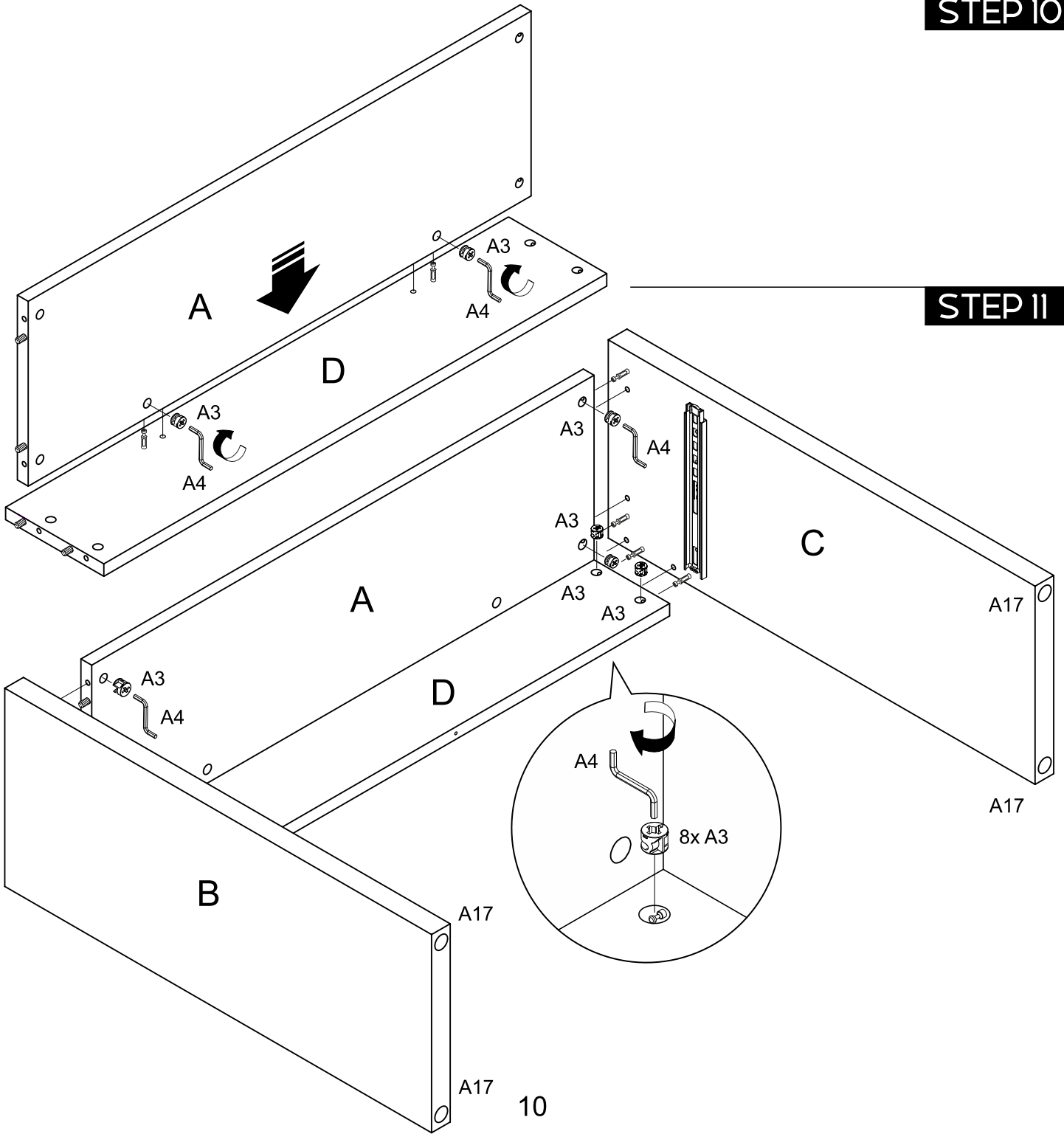
STEP 8



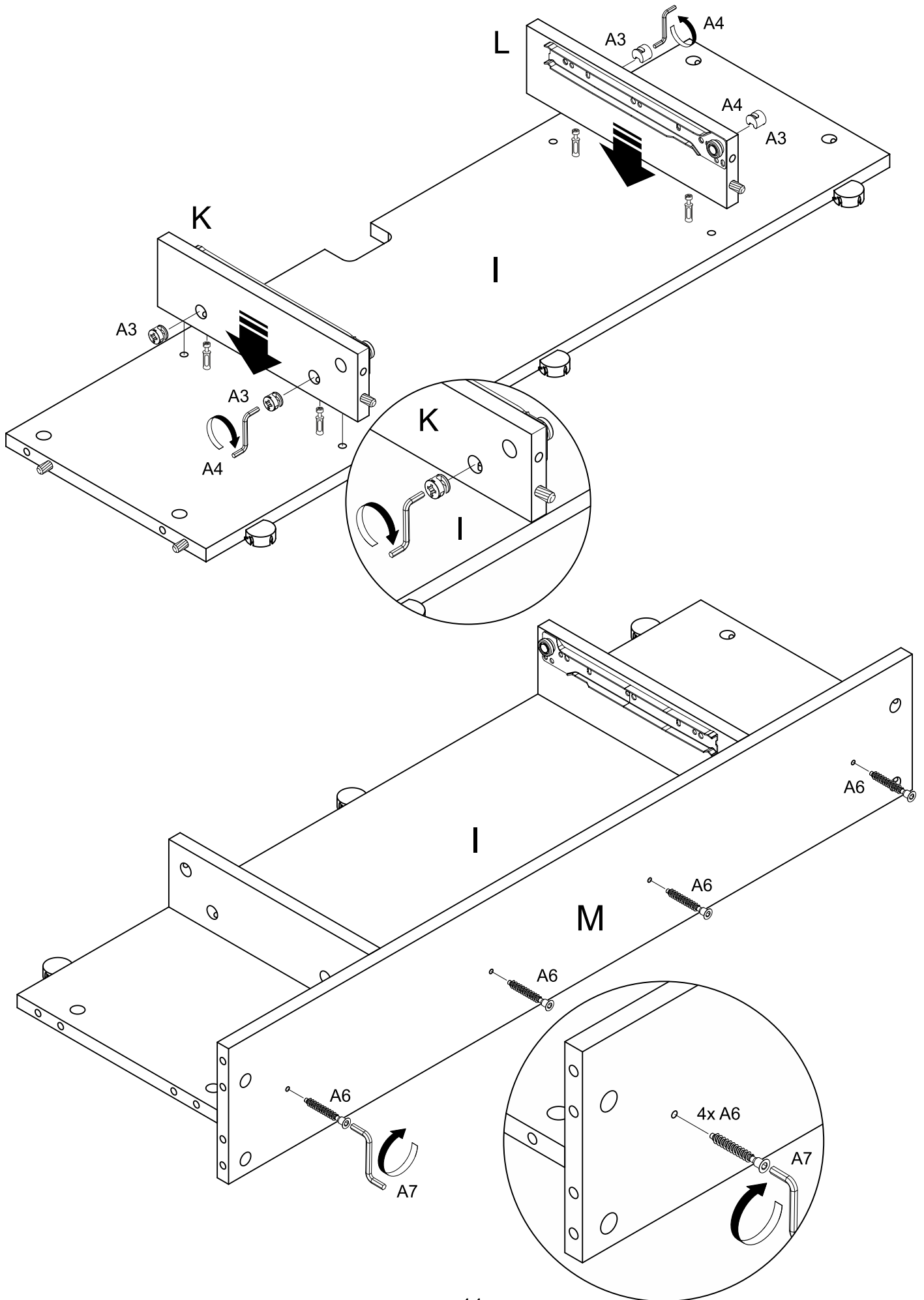
STEP 9

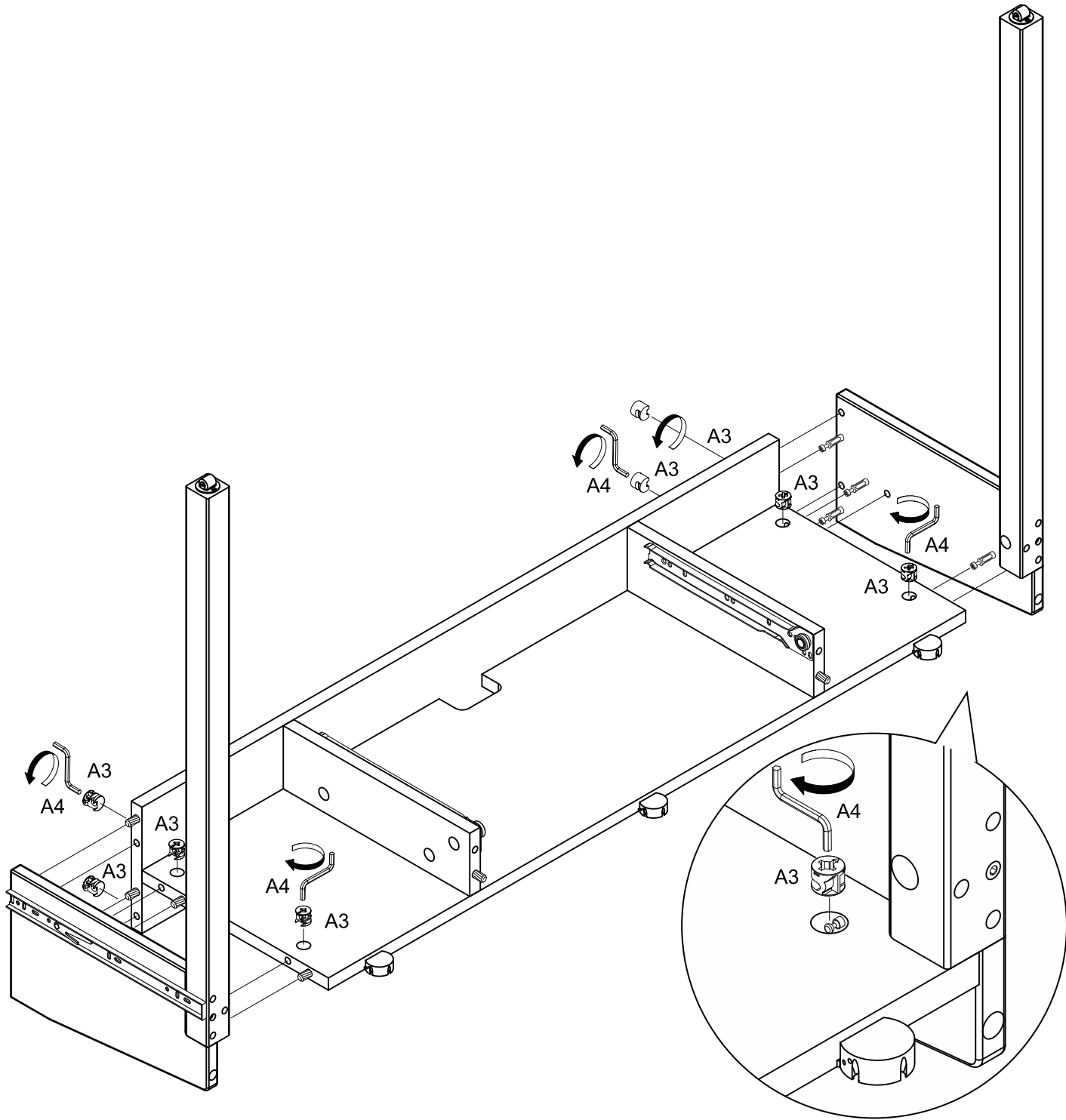


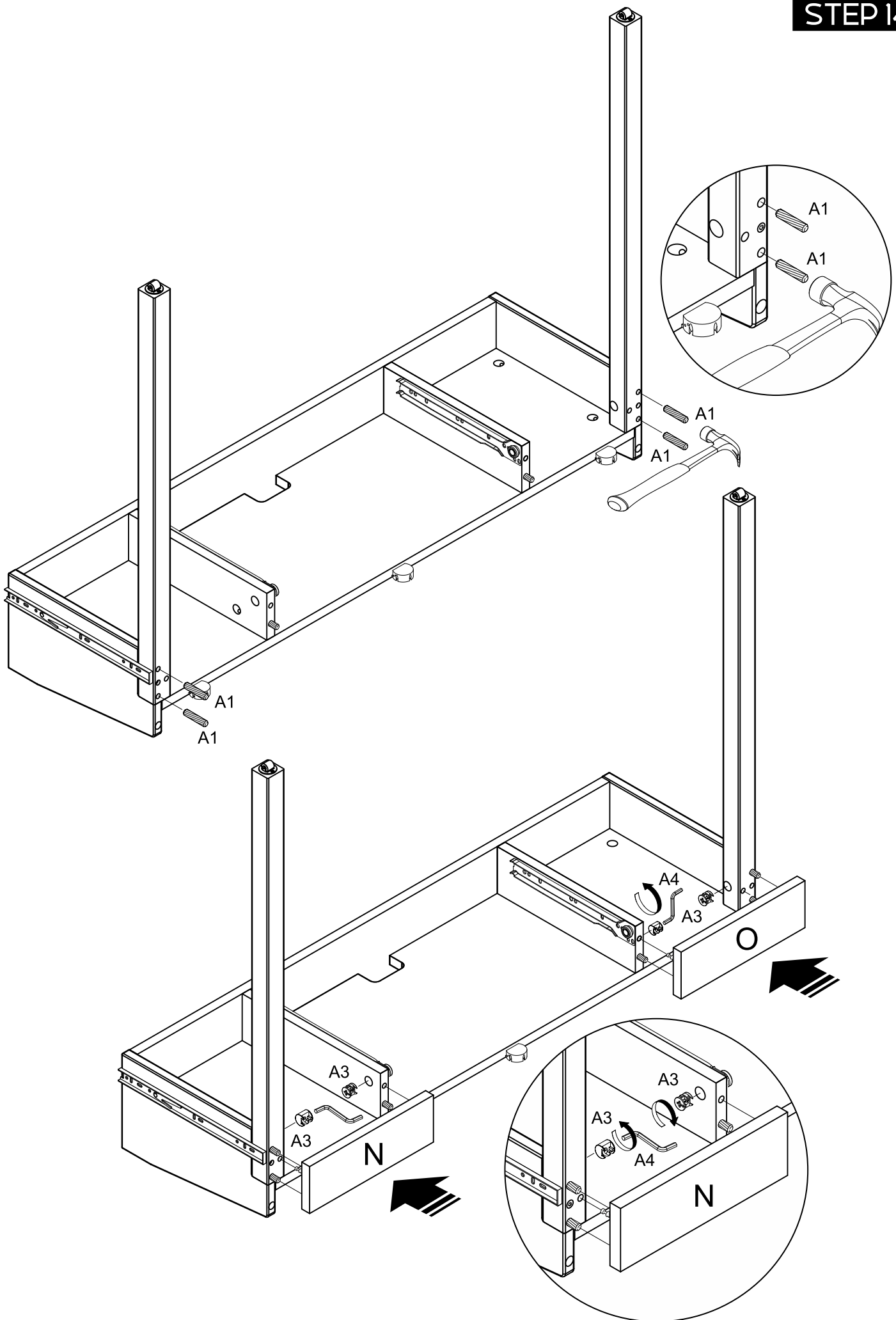
STEP 10

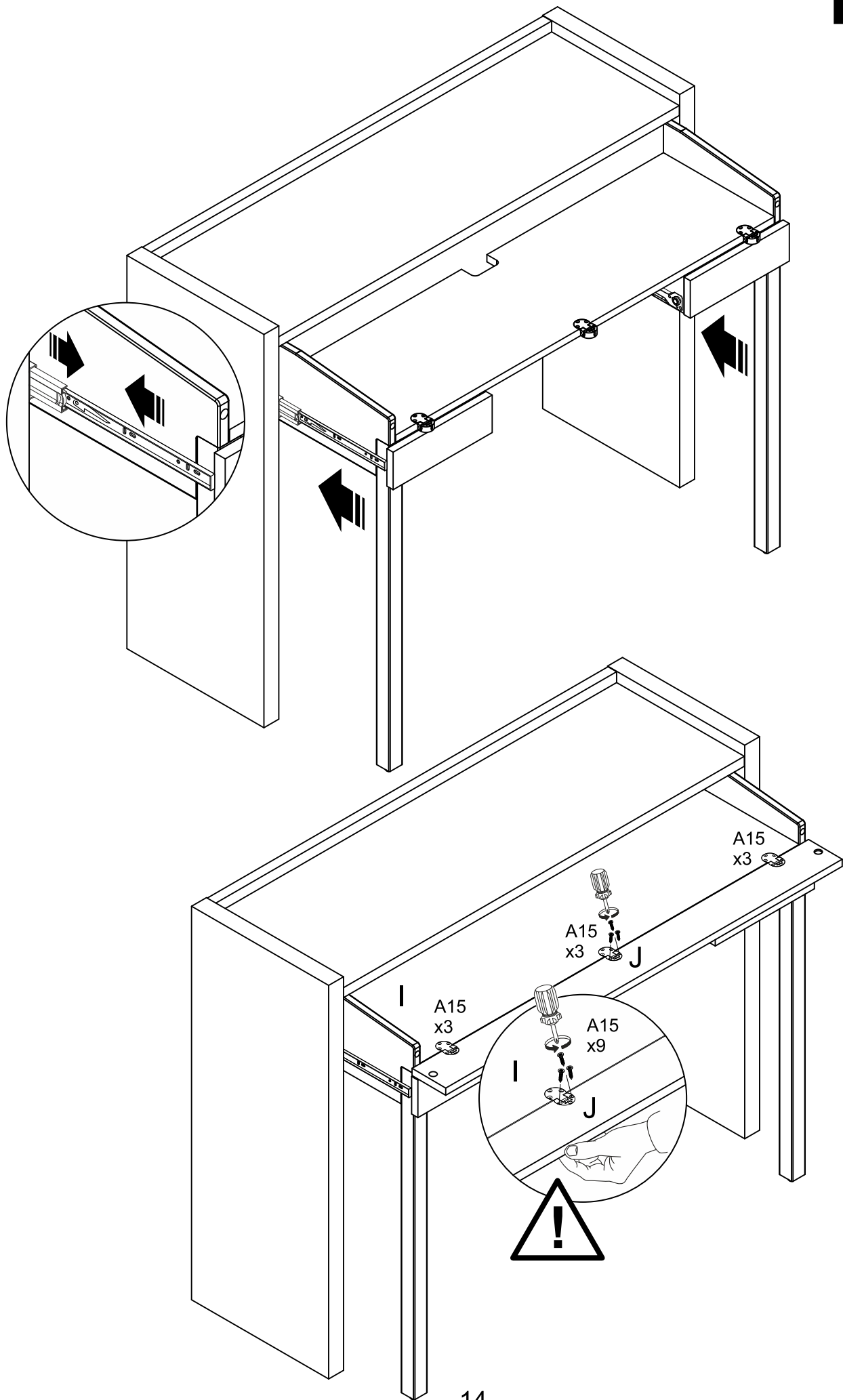


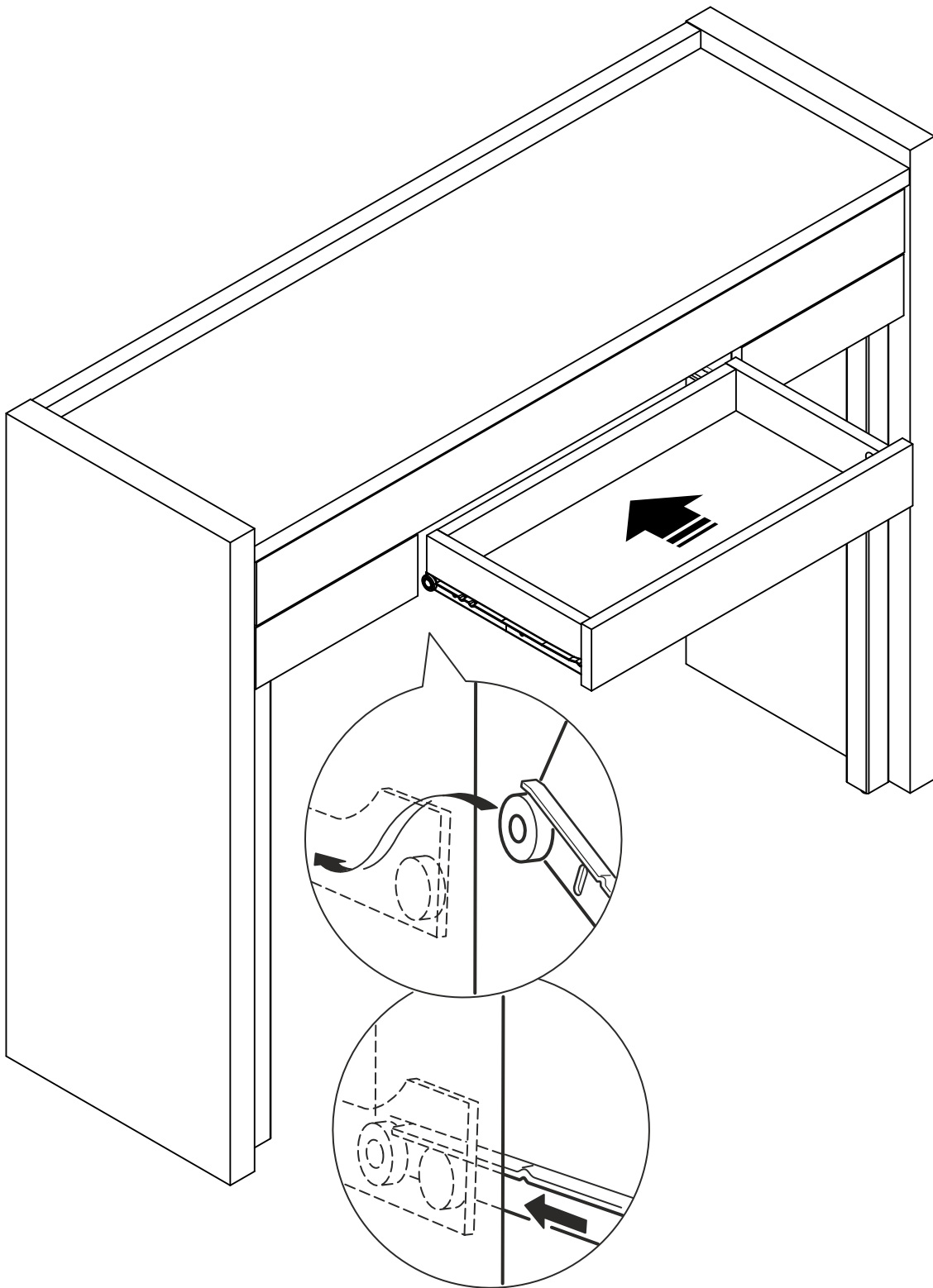
STEP 11













Safety and Care Advice

Important - Please read these instructions fully before starting assembly

Check you have all the components and tools.

Remove all fittings from the plastic bags and separate them into their groups.

Keep children and animals away from the work area, small parts could choke if swallowed.

Make sure you have enough space to layout the parts before starting.

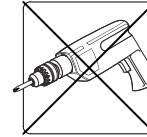
Do not stand or put weight on the product, this could cause damage.

Assemble the item as close to its final position (in the same room) as possible. Do not place furniture directly in front of radiators, fires or any other source of heat.



Parts of the assembly will be easier with 2 people.

Assemble on a soft level surface to avoid damaging the unit or your floor.



Only use hand screwdrivers.

We do not recommend the use of power drill/drivers for inserting screws, as this could

Dispose of all packaging carefully and responsibly.

General care and maintenance

Only clean using a damp cloth and mild detergent, do not use bleach or abrasive cleaners.

From time to time check that there are no loose screws and connectors on this unit.

This product should not be discarded with household waste. Take to your local authority waste disposal centre.

Cleaning and care of lacquered surfaces

Regular dusting with a dry cloth will keep your units clean.

Do not clean with products containing the following: Acetone, (e.g. nail varnish remover). Ammonia (e.g. bleach). or Sodium hydroxide (e.g. Caustic soda, drain and oven cleaners).

Clean marks with a damp cloth.

Do not use abrasive cleaners.

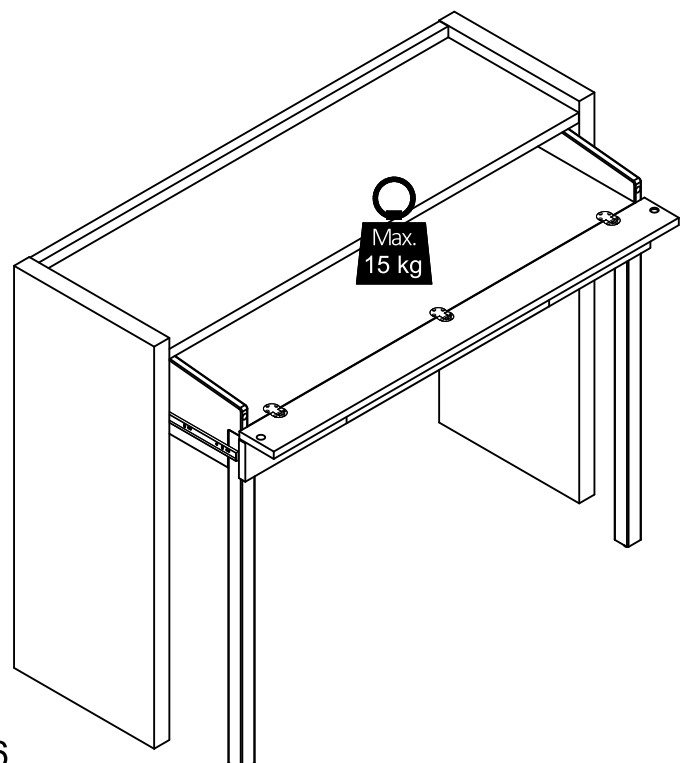
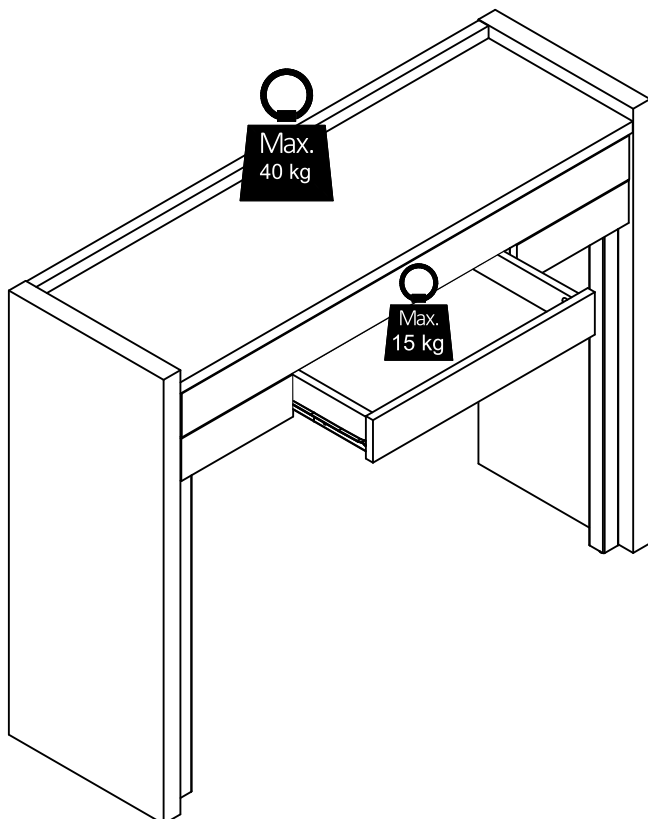
In the event of accidental contact with aggressive cleaners, rinse thoroughly with water.

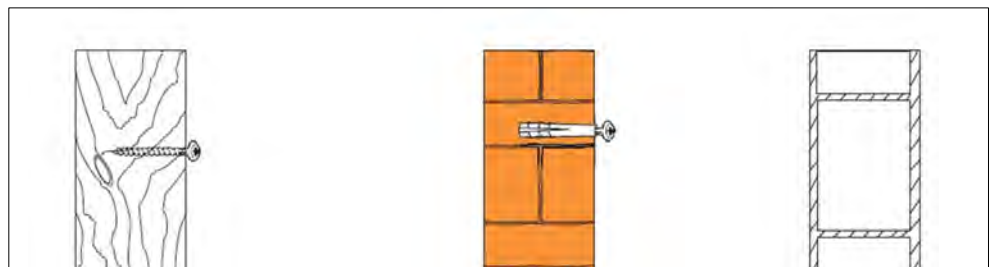
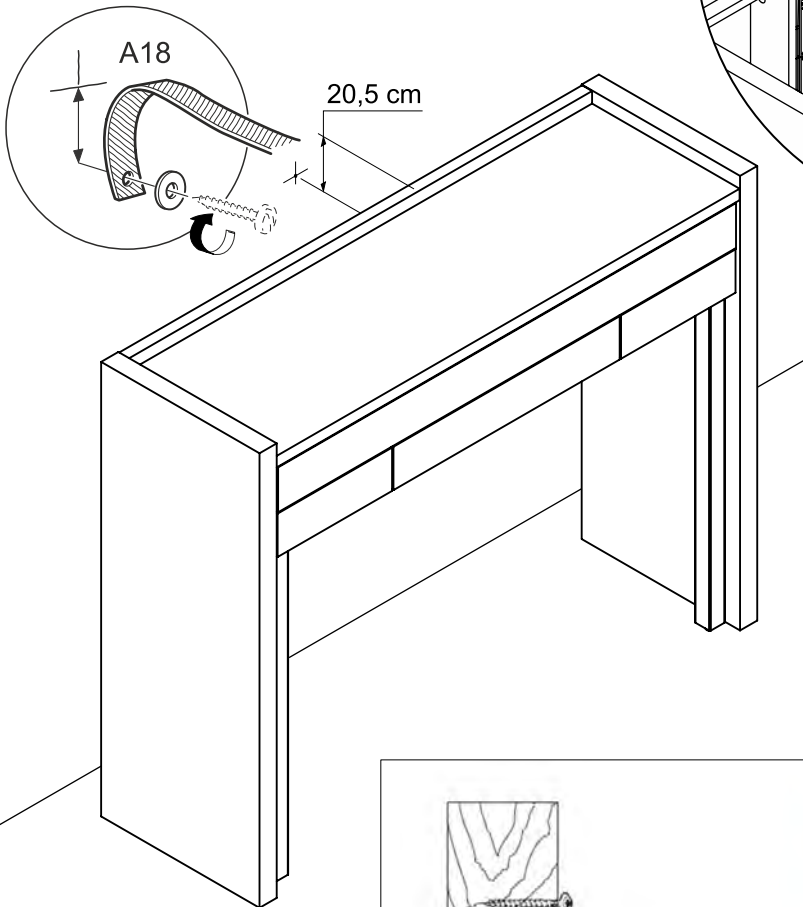
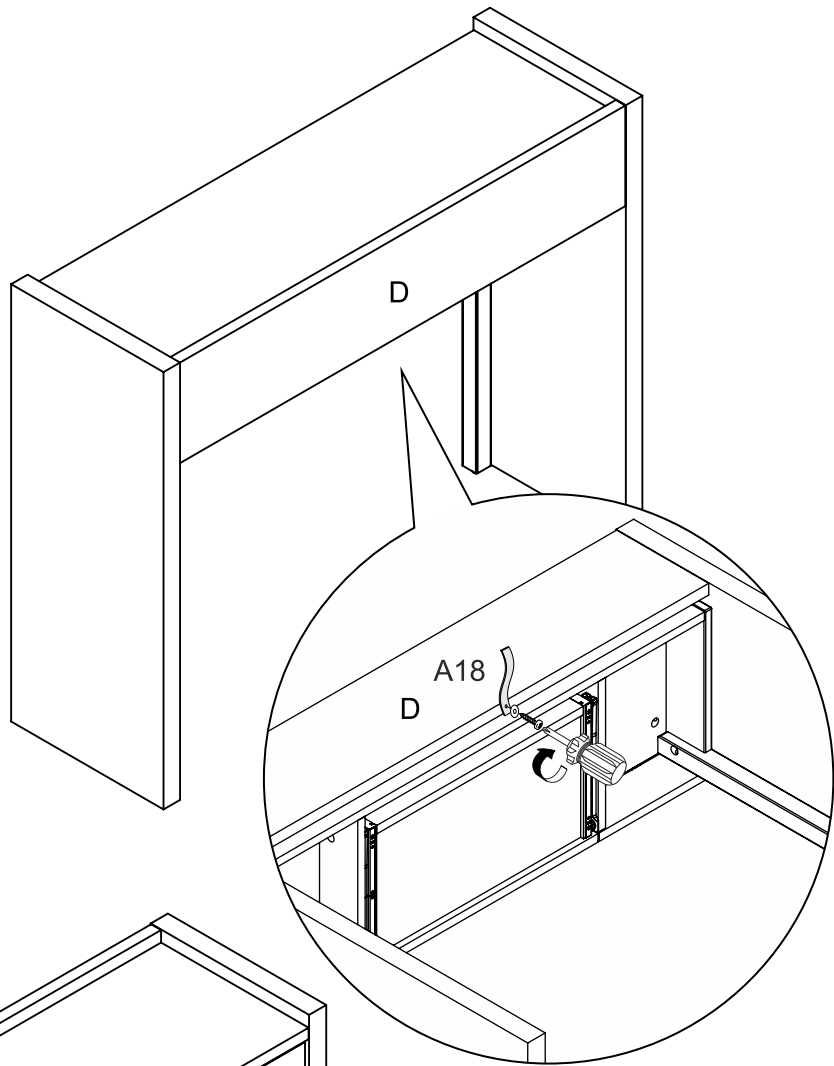
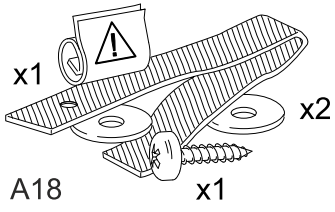
Do not allow spillages to stay on the surface for long.

To remove stubborn stains, wipe over with a damp cloth and washing up liquid.

Use place mats to protect the surface from moisture and heat.

Maximum weight limit





Wood
If fixing to wood make sure that it isn't chipboard, as screws can easily pull away from the core structure

Brick or Masonry
Use an appropriate wall plug provided you are sure your wall is sound

Cavity wall
Special toggle wall plugs are needed. Seek expert advice