

ASSEMBLY INSTRUCTION
7161-GC1725-2411



A	B	C	D	E	F	G
2 PCS	6 PCS	4 PCS	6 PCS	40 PCS	3 PCS	12 PCS
H	I					
1 PC	1 PC					

FIG. 1

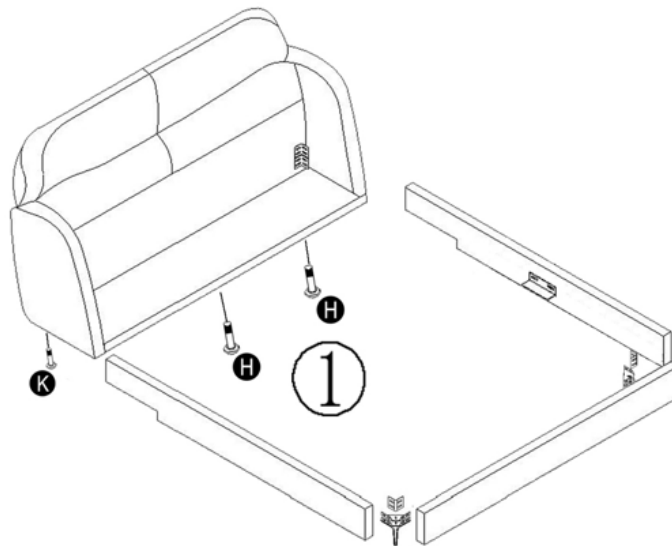
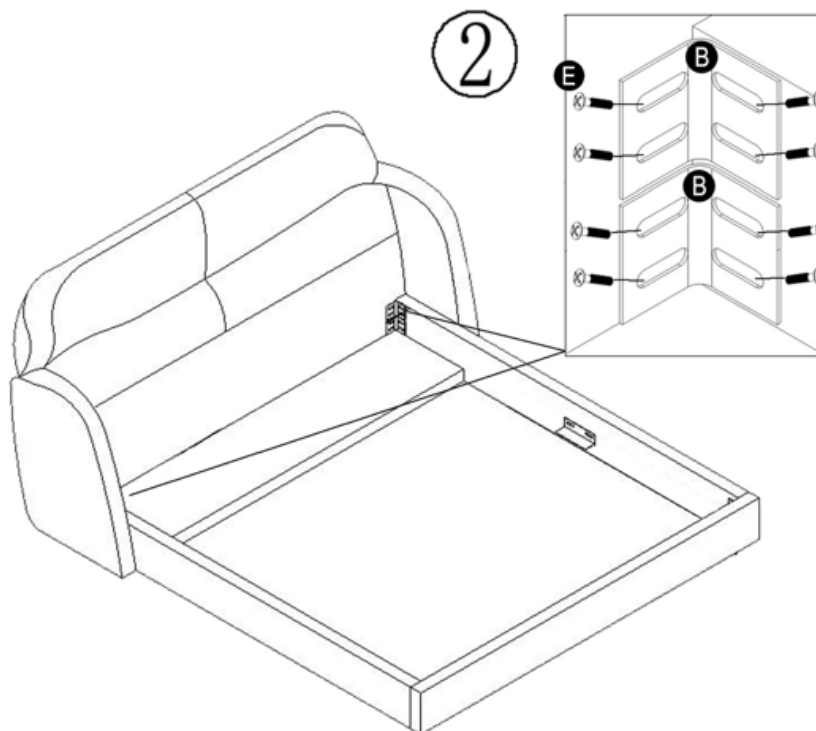


FIG. 2



ASSEMBLY INSTRUCTION
7161-GC1725-2411



A	B	C	D	E	F	G
2 PCS	6 PCS	4 PCS	6 PCS	40 PCS	3 PCS	12 PCS
H	I					
1 PC	1 PC					

FIG. 3,4

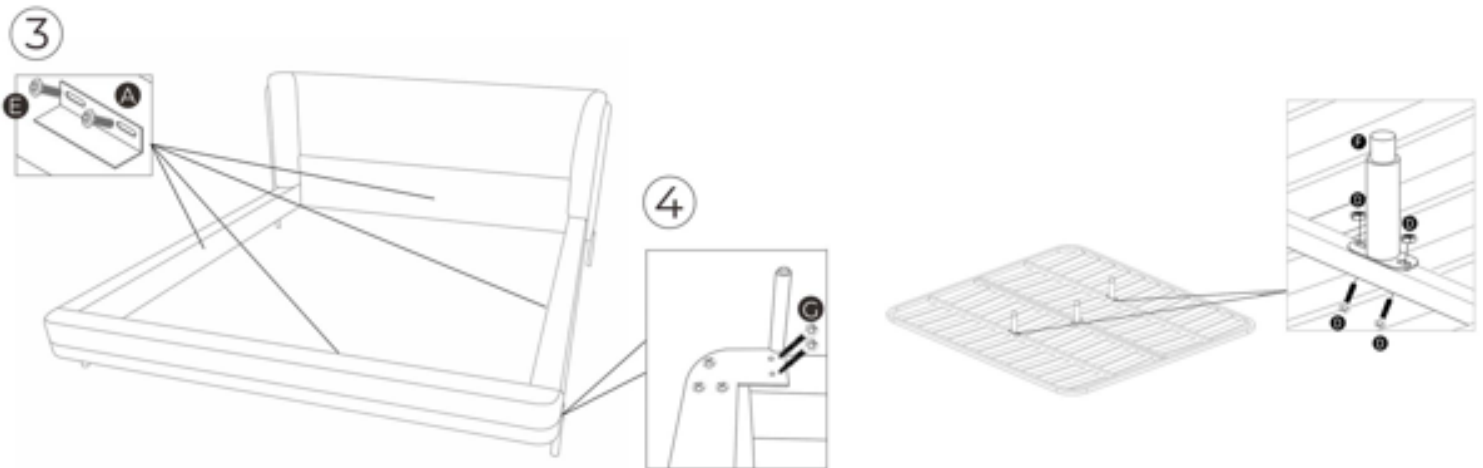


FIG. 5

