

# Audo

COPENHAGEN



AFTEROOM BAR CHAIR PLUS  
Designed by *Afteroom*



AFTERROOM BAR CHAIR PLUS, VENEER  
Designed by *Afteroom*

Bar chair with tubular powder coated steel, with a circular footrest. Upholstered seat and extended, upholstered or veneer backrest.



PRODUCT OPTIONS

*Backrest and seat*



NATURAL OAK



DARK STAINED OAK



BLACK

*Powder coated steel base*



BLACK STEEL

PRODUCT TYPE  
Counter and bar chair

COLLI  
1

ENVIRONMENT  
Indoor

DIMENSIONS  
H: 107,5 cm / 42,3"  
SH: 73,5 cm / 28,9"  
W: 50 cm / 19,7"  
D: 55 cm / 21,2"

PRODUCTION PROCESS  
The base is made from bent, welded steel tubes with a powder coated finish. The upholstered seat and back are made of plywood upholstery shell, foam and fabric.

TECHNICAL SPECIFICATIONS

COLOUR

*Backrest and seat*  
Natural Oak  
Dark Stained Oak  
Black (RAL 9005)

*Base*  
Black (RAL 9005)

GLOSS  
Gloss 10-20

MATERIALS  
Powder coated steel, plywood

WOOD ORIGIN  
Latvia

WEIGHT  
5,4 kg / 11,9 lb

TEST  
EN1022:2005, L2  
EN16139:2013, L2

WARRANTY  
10 years

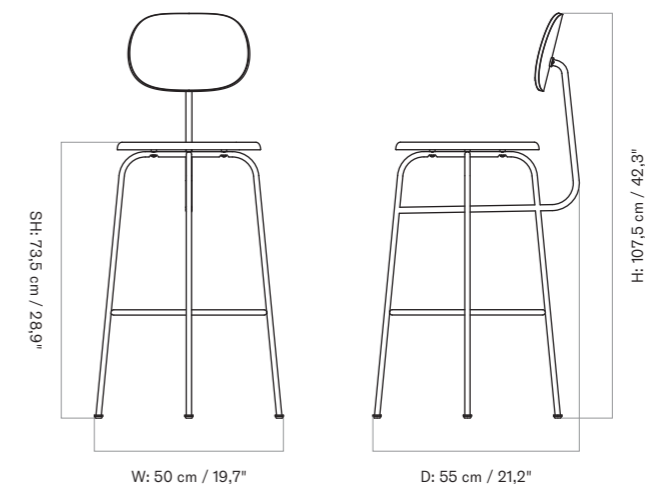
CERTIFICATIONS  
TSCA title VI compliant

**Declare.**

PACKAGING TYPE  
Brown box

PACKAGING MEASUREMENTS  
(H × W × D)  
101 cm × 48 cm × 48 cm /  
39,8" × 18,9" × 18,9"

MATERIALS & MAINTENANCE  
Please visit [audocph.com](http://audocph.com) for materials, care and maintenance instructions.





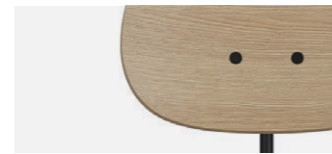
AFTERROOM BAR CHAIR PLUS, UPHOLSTERED SEAT  
Designed by *Afteroom*

Bar chair with tubular powder coated steel, with a circular footrest. Upholstered seat and extended, upholstered or veneer backrest.



PRODUCT OPTIONS

*Backrest*



NATURAL OAK



DARK STAINED OAK



BLACK

*Seat*



WITH UPHOLSTERY

*Powder coated steel base*



BLACK STEEL

*Spec options*

Available in fabrics from our upholstery programme. Standard lead times apply.

For custom upholstery, please refer to the guiding textile/leather consumption:

COM: 0,44 m

COL: 0,54 m<sup>2</sup>

Prices excl. custom upholstery are equal to Price Category 1 Textile or Leather. Contact Sales support for approval of custom upholstery and to place your order.

TECHNICAL SPECIFICATIONS

PRODUCT TYPE  
Counter and bar chair

COLLI  
1

ENVIRONMENT  
Indoor

DIMENSIONS  
H: 107,5 cm / 42,3"  
SH: 73,5 cm / 28,9"  
W: 50 cm / 19,7"  
D: 55 cm / 21,2"

PRODUCTION PROCESS  
The base is made from bent, welded steel tubes with a powder coated finish. The upholstered seat and back are made of plywood upholstery shell, foam and fabric.

COLOUR

*Backrest*  
Natural Oak  
Dark Stained Oak  
Black (RAL 9005)

*Seat with upholstery*  
Dependent upon selected upholstery

*Base*  
Black (RAL 9005)

GLOSS  
Gloss 10-20

MATERIALS  
Powder coated steel, upholstery, foam, plywood

WOOD ORIGIN  
Latvia

WEIGHT  
5,4 kg / 11,9 lb

TEST  
EN1022:2005, L2  
EN16139:2013, L2

WARRANTY  
10 years

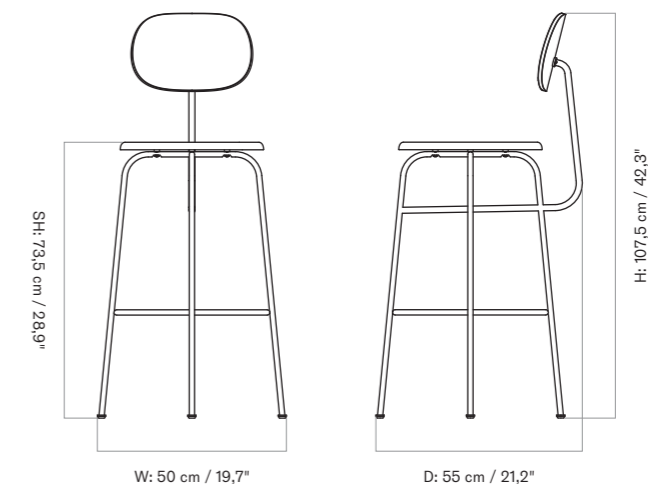
CERTIFICATIONS  
TSCA title VI compliant

**Declare.**

PACKAGING TYPE  
Brown box

PACKAGING MEASUREMENTS  
(H × W × D)  
101 cm × 48 cm × 48 cm /  
39,8" × 18,9" × 18,9"

MATERIALS & MAINTENANCE  
Please visit [audocph.com](http://audocph.com) for materials, care and maintenance instructions.





AFTERROOM BAR CHAIR PLUS, UPHOLSTERED  
Designed by *Afteroom*

Bar chair with tubular powder coated steel, with a circular footrest. Upholstered seat and extended, upholstered or veneer backrest.



PRODUCT OPTIONS

*Backrest*



WITH UPHOLSTERY

*Seat*



WITH UPHOLSTERY

*Powder coated steel base*



BLACK STEEL

*Spec options*

Available in fabrics from our upholstery programme.  
Standard lead times apply.

For custom upholstery, please refer to the guiding  
textile/leather consumption:  
COM: 0,51 m  
COL: 0,6 m2

Prices excl. custom upholstery are equal to Price Category 1  
Textile or Leather. Contact Sales support for approval of custom  
upholstery and to place your order.

The above textile consumption is only valid for textile rolls with a width equal to  
or greater than 140 cm. For smaller textile rolls, please contact Sales Support for  
guidance. For textile with pattern, please expect a higher usage for correct pattern  
fitting. Please contact Sales Support for guidance.

TECHNICAL SPECIFICATIONS

PRODUCT TYPE  
Counter and bar chair

COLLI  
1

ENVIRONMENT  
Indoor

DIMENSIONS  
H: 107,5 cm / 42,3"  
SH: 73,5 cm / 28,9"  
W: 50 cm / 19,7"  
D: 55 cm / 21,2"

PRODUCTION PROCESS  
The base is made from bent, welded steel  
tubes with a powder coated finish. The  
upholstered seat and back are made of  
plywood upholstery shell, foam and fabric.

COLOUR  
*Backrest and seat*  
Dependent upon selected upholstery

*Base*  
Black RAL (RAL 9005)

GLOSS  
Gloss 10-20

MATERIALS  
Powder coated steel, upholstery, foam,  
plywood

WOOD ORIGIN  
Latvia

WEIGHT  
5,4 kg / 11,9 lb

TEST  
EN1022:2005, L2  
EN16139:2013, L2

WARRANTY  
10 years

CERTIFICATIONS  
TSCA title VI compliant

**Declare.**

PACKAGING TYPE  
Brown box

PACKAGING MEASUREMENTS  
(H × W × D)  
101 cm × 48 cm × 48 cm /  
39,8" × 18,9" × 18,9"

MATERIALS & MAINTENANCE  
Please visit [audocph.com](http://audocph.com) for materials, care  
and maintenance instructions.

