

HAZEL

Designed by Jacob Rudbeck



Pendant lamp



DIMENSIONS

Ø: 40 cm / 15.7" Ø: 22 cm / 8.7"
H: 16 cm / 6.3" H: 9.5 cm / 3.7"



MARKINGS, TESTS & CERTIFICATIONS

CE (for indoor use)



MATERIAL

Steel, aluminium and PMMA
Incl. 2.7 m / 8'9" black textile cord and metal canopy



WARRANTY

10 years warranty against manufacturer defects



WEIGHT

Hazel medium: 3.3 kg / 7.3 lb
Hazel mini: 1.3 kg / 2.9 lb



WEIGHT INCL. PACKAGING

Hazel medium: 4.9 kg / 10.8 lb
Hazel mini: 2.1 kg / 4.6 lb



LIGHT SOURCE

Hazel medium: 21W LED panel built-in. 3000 K
1100 lumen. CRI: 85. 25000 H

Hazel mini: 12W LED panel built-in. 3000 K
600 lumen CRI: 84. 25000 H

Dimmable with external dimmer*



PACKAGING DIMENSIONS (L x W x H)

Medium: 44.7 x 44.7 x 24.4 cm / 17.6 x 17.6 x 9.6"
Mini: 24.4 x 24.4 x 17.4 cm / 9.6 x 9.6 x 6.9"



ASSEMBLY TIME

10 min - video guide at umage.com



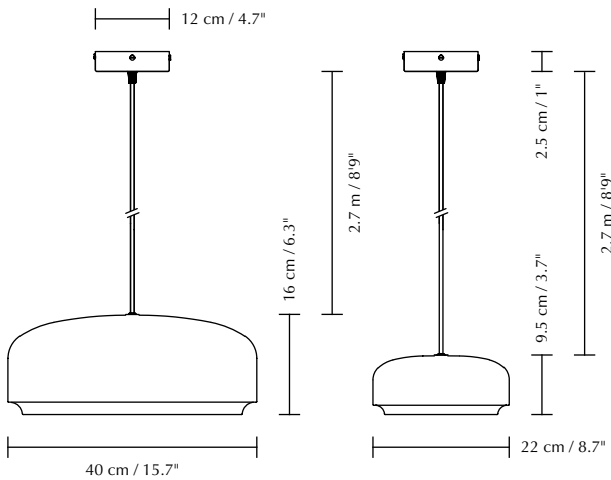
MEDIA KIT

Photos and press material
Download at umage.presscloud.com



ORDERING INFORMATION

Hazel medium black	#2440
Hazel mini black	#2441
Hazel medium white	#2446
Hazel mini white	#2447



Medium

Mini



Colour variations

* For recommended external dimmers, go to umage.presscloud.com



black
(RAL: 9005)



white
(RAL: 9003)


UMAGE

HAZEL

Designed by Jacob Rudbeck



Hazel medium, white

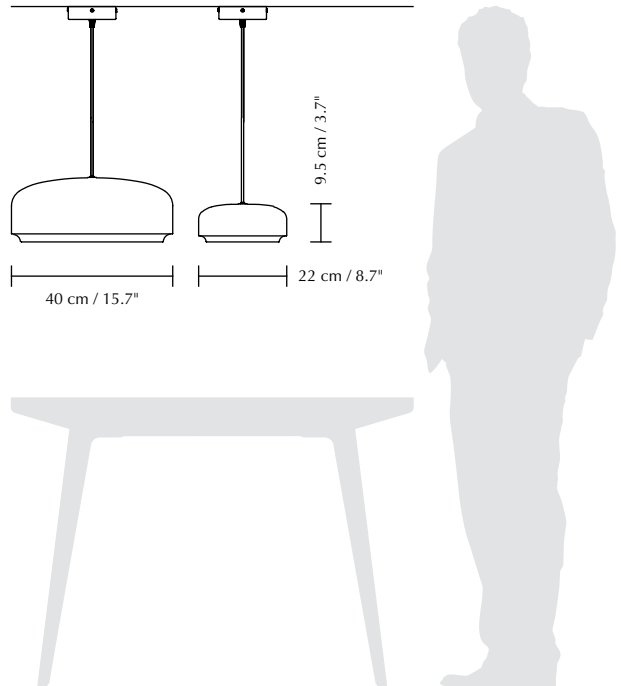
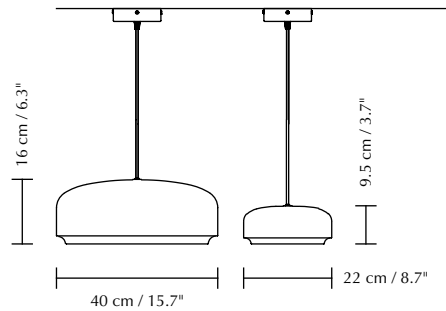


Hazel medium, white

THE FUSION OF NATURE AND TECHNOLOGY

Introducing a new lamp; Hazel, with a shape inspired by the humble hazelnut, designed from solid materials and LED technology, it becomes a crossbreed between nature and technology. The organic shapes, the brass details, and the soft light will create a warm yet minimalistic feeling in your home.

Find more info on our website umage.com




UMAGE