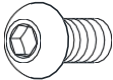
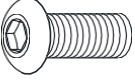
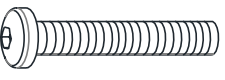
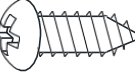
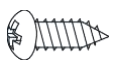



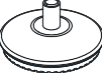





AUFBAUANLEITUNG | ASSEMBLY INSTRUCTION

BAUTEILE | CONSTRUCTION PARTS

ARTIKEL NR: 41930

Hersteller|Manufacturer:InvictaInterior GmbH&CoKG-Kirchenweg8,24568Nützen-info@invicta-interior.com-Tel.:04101-80 40 615

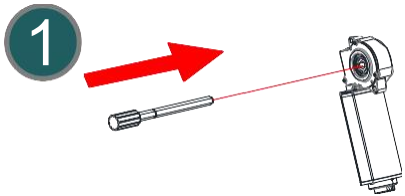
<p>A</p>  <p>M6*10 X16</p>	<p>B</p>  <p>M6*16 X8</p>	<p>C</p>  <p>M5*30 X2</p>	<p>D</p>  <p>Ø4.8x16 x13</p>	<p>E</p>  <p>Ø4.2x16 x2</p>	<p>F</p>  <p>4MM x1</p>
<p>G</p>  <p>x1</p>	<p>H</p>  <p>X5</p>	<p>I</p>  <p>X4</p>	<p>J</p>  <p>X1</p>	<p>K</p>  <p>X1</p>	<p>L</p>  <p>X1</p>



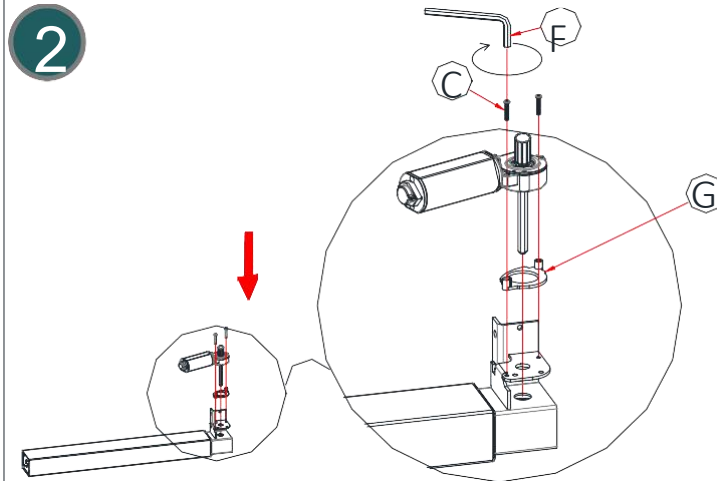
1. Feet
2. Right Lifting Column
3. Left Lifting Column
4. Side Support
5. Motor
6. Cross Strut
7. Hexagonal Drive Shaft



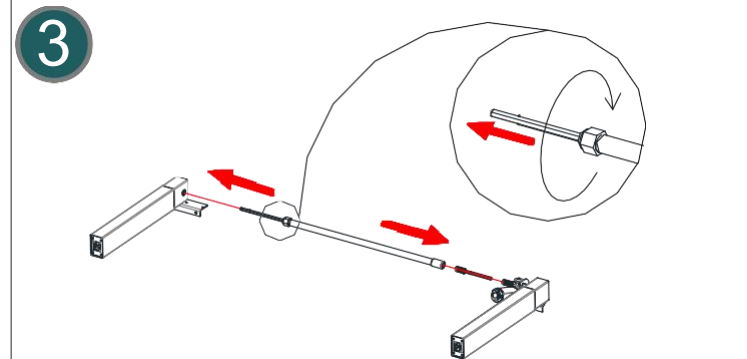
Hersteller | Manufacturer: Invicta Interior GmbH & Co KG - Kirchenweg 8, 24568 Nützen - info@invicta-interior.com - Tel.: 04101 -80 40 615



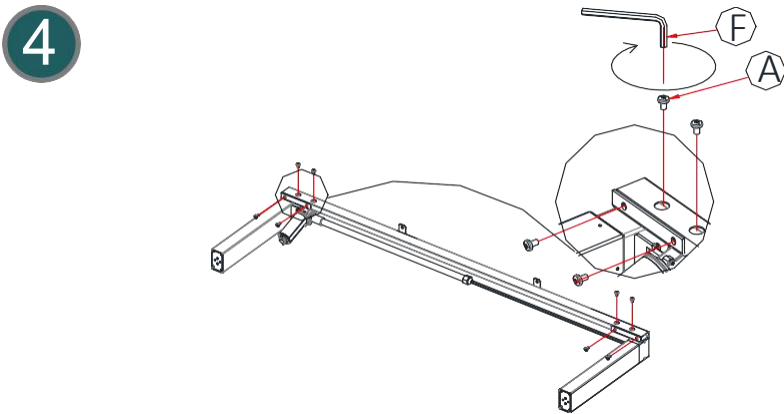
1 Guide the short hexagonal drive shaft through the hexagonal hole in the motor as shown in the illustration.



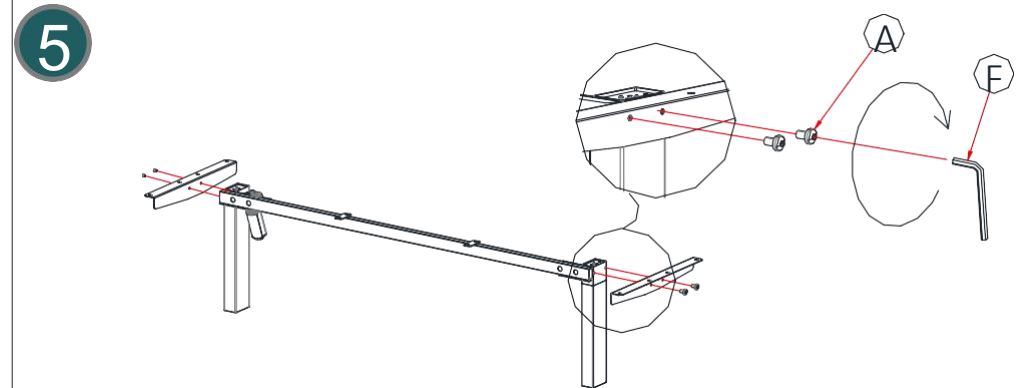
2 As shown in the illustration, the hexagonal rod runs through the motor and then through the motor base (G). Lock and fix it with screw C (2 pcs.)



3 Loosen the nut and pull out the hexagonal rod and insert it into the square hole in the column. Insert the other end into the hexagonal rod.

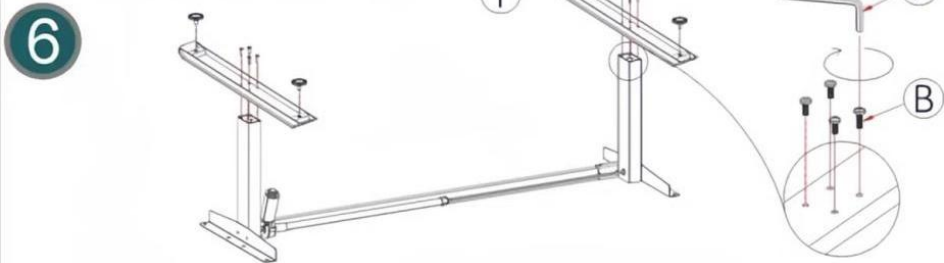


4 Then lock the holder with screw A (8 pcs.)

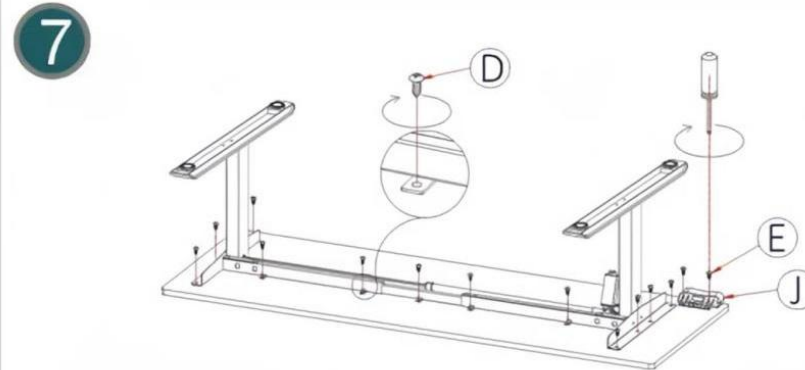


5 Fasten the left and right side supports with screw A (2 screws on each side)

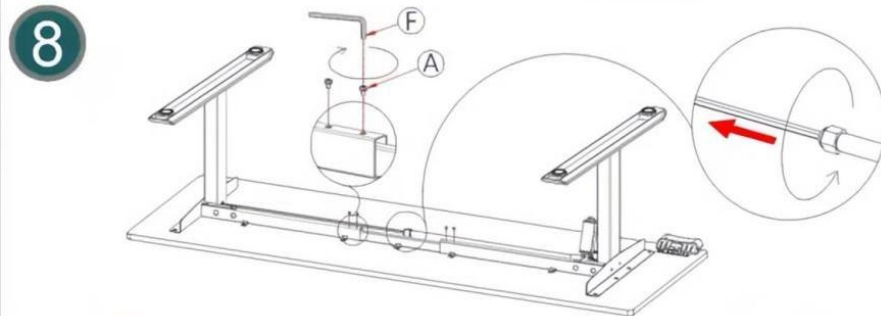
Hersteller | Manufacturer: Invicta Interior GmbH & Co KG - Kirchenweg 8, 24568 Nützen - info@invicta-interior.com - Tel.: 04101-80 40 615



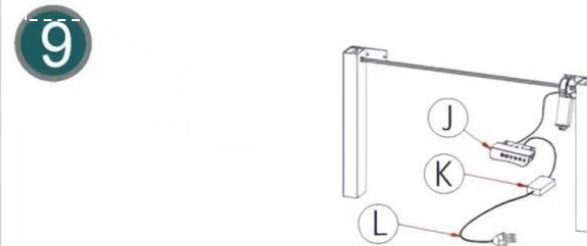
Fasten the feet with screw B (4 pcs each) and screw in the height-adjustable floor protectors (4 pcs).



Fasten the substructure to the underside of the tabletop with screws D (12 pcs) at the pre-marked points and fasten the control element (J) with screws E (2 pcs).

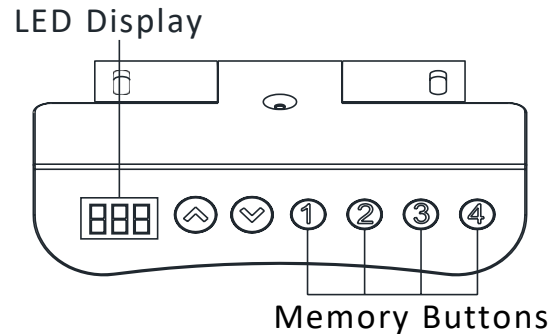


Insert both ends of the hexagonal rod and tighten the nuts.



As shown in the illustration, insert the motor and power cable (K) into the control element (J).

Hersteller|Manufacturer:InvictaInterior GmbH&CoKG-Kirchenweg8,24568Nützen-info@invicta-interior.com-Tel.:04101-80 40 615



1. Memory location setting

Press and hold the “1, 2, 3, 4” button for 2 seconds, the digital display shows S- and the number button saves the current height at the corresponding position of numbers 1–4.

2. Controlling the stored positions

If you want to move to the saved position (1–4) and the continuous movement is switched on, all you have to do is switched on, you only need to touch and release the corresponding button (1–4) and the desk will automatically move to the corresponding position that you have saved under the number.

3. Reset

Press the “V” button until the table is in the lowest position. The digital display shows (RST).

Then press and hold the button for 5 seconds until the table moves back by 5mm. This indicates that the reset was successful.

4. Normal reset

If the actual height does not match the height displayed on the controller, you can reset the setting as follows. Press the “v” button until the motor stops. Hold it down for 5 seconds. At this point, “RST” is displayed. Press and hold the button until a beep sounds and a number is displayed to indicate that the reset is complete.

When the column is in the high position reset process, press and hold the button for 7 seconds and the column will automatically reset without manual operation.

Hersteller|Manufacturer:InvictaInterior GmbH&CoKG-Kirchenweg8,24568Nützen-info@invicta-interior.com-Tel.:04101-80 40 615

5. Height and depth limitation:

5. 1. This setting allows you to set the maximum desired height of the desk. To do this, press the “^” and “V” buttons simultaneously for 5 seconds until you hear a signal tone indicating that the setting was successful.

Proceed in the same way to set the lower limit height: To do this, press the “^” and “V” buttons simultaneously for 5 seconds until a signal tone sounds to indicate that the lower desk limit height has been set successfully.

5. 2. If the height is above 92.5 cm, the height limit can be saved; if the desk is below the height of 92.5 cm, the depth limit can be saved.

5. 3. Remove the height and depth limit:

If the desk is below 92.5 cm, press and hold the “^” + “V” buttons for 5 seconds until a sound indicates that the depth limit has been successfully lifted.

If the desk is above 92.5 cm, press and hold the “^” + “V” buttons for 5 seconds until a sound indicates that the height limit has been successfully lifted.

Switching between the metric and imperial systems

Press the “4+1” button for 5 seconds to toggle between the metric and imperial systems. If it is in the metric system, it switches to the imperial system and the display shows “IH. ”

If it is in the imperial system, it switches to the metric system and “CN” appears in the display.

Child lock

Press the “4+2” button for 5 seconds to set the child lock. A tone sounds and “Loc” appears in the display at the same time.

To remove the child lock, press the “4+2” button again for 5 seconds. A tone sounds and the normal height is shown on the display at the same time.

Hersteller|Manufacturer:InvictaInterior GmbH&CoKG-Kirchenweg8,24568Nützen-info@invicta-interior.com-Tel.:04101-80 40 615



DE SEHR GEEHRTER KUNDE

Vielen Dank dafür, dass Sie sich für unseren Artikel entschieden haben. Bitte lesen Sie sich vor dem Aufbau die Aufbauanleitung oder Pflege-

Bitte reklamieren Sie bei dem Händler, bei dem Sie die Ware bezogen haben und nennen Sie bitte den Grund der Reklamation.

Sollte der Artikel beschädigt sein, so senden Sie bitte auch:

- Bilder zum Artikel/betroffenen Stelle
- Bilder von der Verpackungsaufschrift damit wir den Artikel genau zuordnen können
- Bilder vor der Verpackung, sofern sie beschädigt ist.

Vielen Dank für Ihre Unterstützung!

EN DEAR CUSTOMER

thank you very much for buying our item. Please read the assembly and/or care instructions carefully before assembly.

Please contact the shop where you bought it and specify the reason of your claim.

If the product is damaged, please send the following information:

- a photo which shows the reason for your claim/damage.
- a photo of the carton with our Order Nr. for classification purposes.
- if damaged, a photo of the packaging (inside and outside).

Thank you very much for your support!