

noo.ma

Wem Chair

Product Fact Sheet



[Go to product page](#)

Available Colors



Vulcano Black

SKU: FUR4001.1



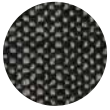
Forest Green

SKU: FUR4001.2



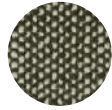
Marron Red

SKU: FUR4001.3



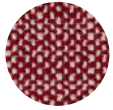
Vulcano Black
upholstered seat

SKU: FUR4002.1



Forest Green
upholstered seat

SKU: FUR4002.2



Marron Red
upholstered seat

SKU: FUR4002.3

Product description

Introducing Wem - a stylish chair designed with highest comfort in mind. Suitable for a wide variety of private and public environments, this refined seating brings together great elegance and maximum ergonomics. With its profiled construction, optional upholstered seating and three colors to choose from, Wem Chair will doubtlessly blend into vast array of dining rooms, offices and more.

Designed by: noo.ma team / Anna Pietkun, Zuzanna Muszalska, Damian Goliński

Dimensions:

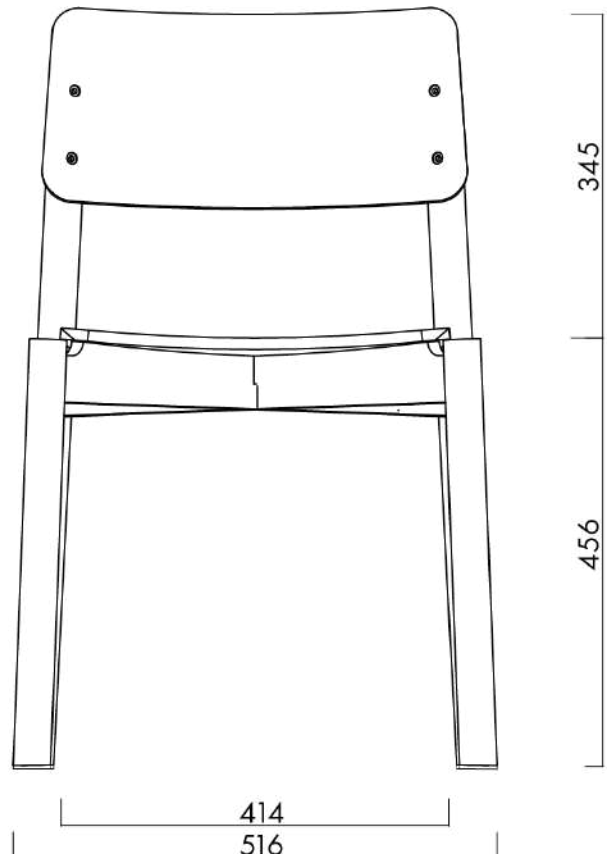
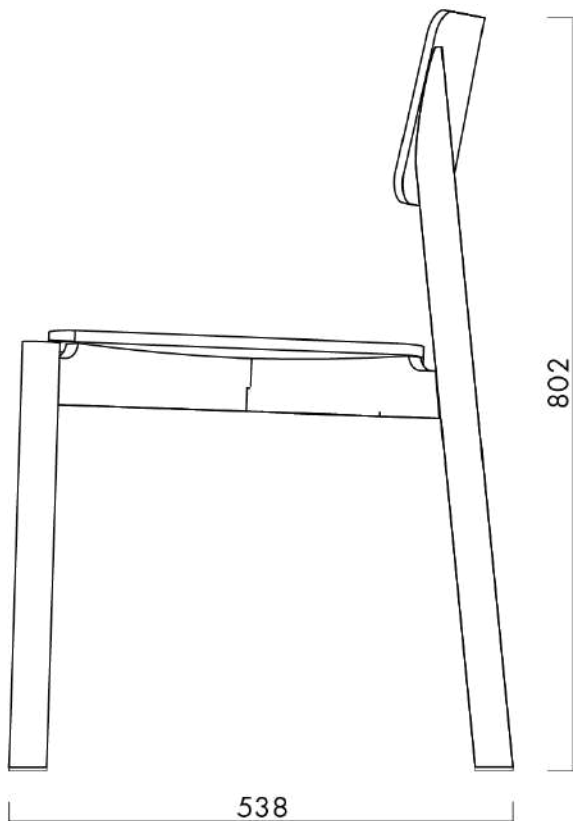
H: 80.2 cm / W: 51.6 cm / D: 53.8 cm

Total weight: 8 kg

Production: Made in Poland

Category: Chairs

Dimensions (mm)



Materials:

Seat and backrest: moulded plywood with beech veneer

Legs: solid beechwood

Finish: water-based mat lacquer

Upholstered seat: 95% Polyester, 5% Polyamide
90 000 martindale cycles (UNI EN ISO 12947/2)

The cover is not removable

Options: Custom textile & size; Crib5 upon request, MOQ 50+

Additional information:

The product is stackable.

Do not stand on the furniture, tilt or sit on the backrest.

Most stains from the upholstery can be removed with water and any kind of a mild detergent like soap and then wiped dry. Do not scratch or rub.

Tests & certifications: PN-EN 16139:2013-07,
PN-EN 1022:2019-03

3D Models:

[Click here to download 3D models](#)

Care Guide:

[Click here to download Care Guide](#)

Packaging: This product is packed in one durable box to ensure security during transportation, easy lifting and carrying as well as reduce its carbon footprint. The packaging itself is also eco-friendly with almost zero use of plastic.

Assembly: All of our furniture are preassembled which means that all the pieces are already ready to use. Final assembly is simply connecting these pieces together using special connectors placed in all the components. This process is easy and does not require any special tools.

Delivery time: Most likely we own a stock of this product and it is usually shipped within 48h. If it is not available on stock the delivery time may take up to 6 weeks. All products from one order are being shipped together unless otherwise stated.

Shipping & Delivery: noo.ma most commonly uses FedEx as a forwarder for this product. The service includes a delivery in one or several packages directly to your home/office with carrying up stairs.

Contact us

Need our help? Contact us at support@noo.ma.
Visit www.noo.ma for more information.